



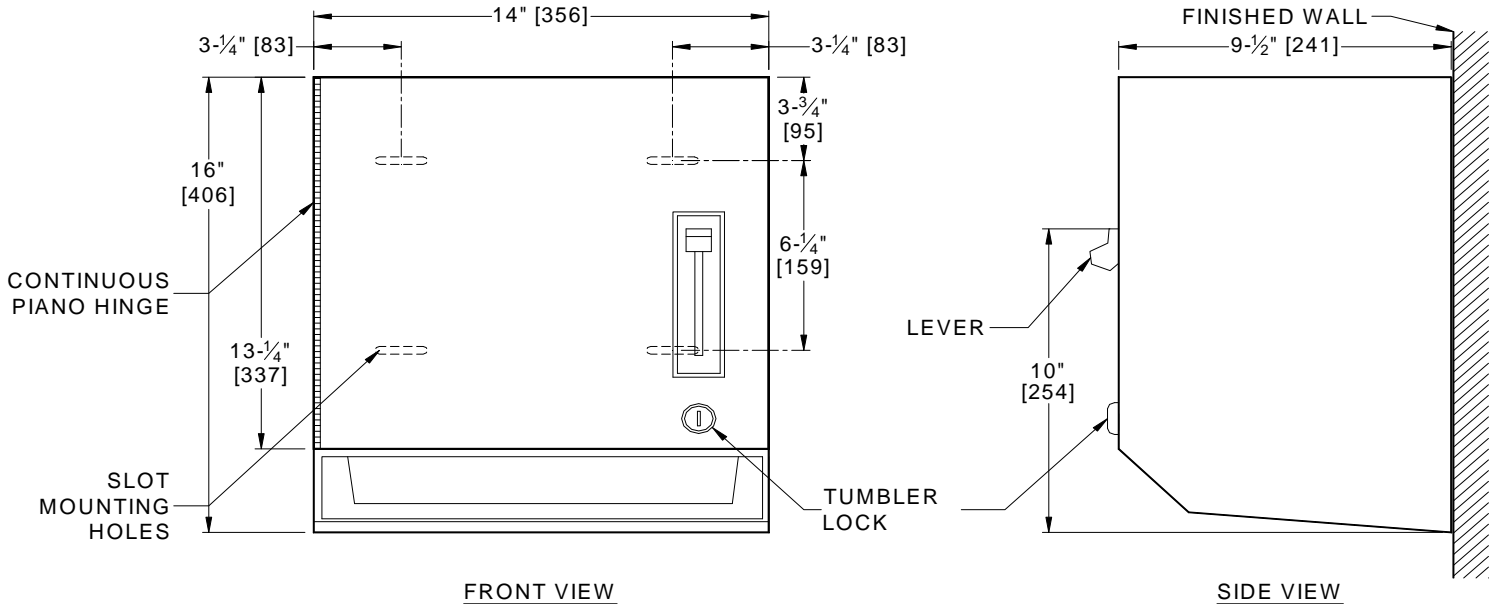
**AMERICAN SPECIALTIES, INC.**  
441 Saw Mill River Road, Yonkers, NY 10701

**MODEL No: 8522**

ISSUED: 01/87

REVISED: 5 MAR 2014

## SURFACE MOUNTED ROLL PAPER TOWEL DISPENSER



### SPECIFICATION

Surface Mounted Roll Paper Towel Dispenser shall hold and dispense one 8" or 9" (203 or 229) wide up to 800 ft (244m) long standard towel roll up to 8-5/8" diameter (Ø219) and one stub roll up to 4" diameter (Ø102). Automatic transfer mechanism shall dispense towels from stub roll before starting new roll. Lever shall operate unit and shall adjust to dispense 2-1/2", 4", or 5" (64, 102, and 127) preset length of towel. Unit frame and cabinet shall be 22 gauge stainless steel type 304 alloy 18-8. Door shall be 18 gauge. Towel dispensing slot shall be smooth and burr-free for snag-free dispensing and user safety. Roll paper towel mechanism shall be enamel painted steel. Door shall be attached to cabinet at side with a full length 3/16" diameter (Ø5) multi-staked stainless steel piano hinge and shall be held closed with a tumbler lock keyed alike to other ASI washroom equipment. Structural assembly of all components shall be of welded construction. All exposed surfaces shall be satin finish and shall be protected during shipment with PVC film easily removable after installation. Towel loading and operation instructions are provided on label inside unit.

**Surfaced Mounted Roll Paper Towel Dispenser shall be Model 8522 as manufactured by American Specialties, Inc., 441 Saw Mill River Road, Yonkers, New York 10701-4913**

### INSTALLATION

Surface mount unit to wall using N<sup>o</sup>10 fasteners (by others) through concealed mounting holes provided. For compliance with ADA Accessibility Guidelines, install unit so that towel dispenser lever is 48" [1219] maximum AFF.

### OPERATION

Towels are fed by lever action until supply is depleted. Towel feed length is adjustable for economy by pin (supplied) limiting of lever stroke length by owner. Unit may be reloaded with a full roll to automatically start when finished with an existing partial roll. Locking door prevents unauthorized access or removal.

Accessory Specialties

AMERICAN DISPENSER

Desert Ray Products

WITROUS, INC.

THIS MANUFACTURER RESERVES THE RIGHT TO MAKE CHANGES IN DESIGN OR DIMENSIONS WITHOUT FORMAL NOTICE

Distributed by  
www.Ameraproducts.com  
Phone: (800) 608-6568  
Fax: (409) 840-5545  
info@ameraproducts.com