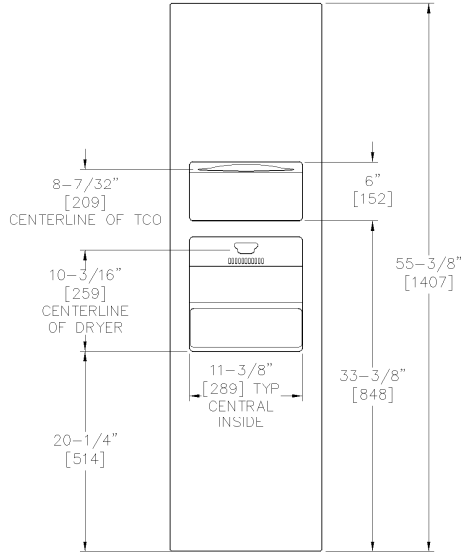




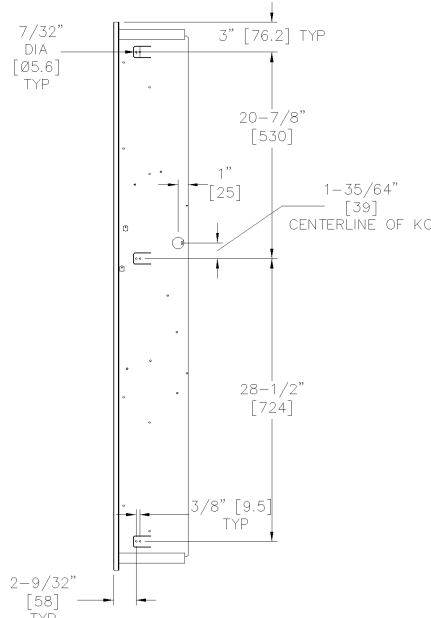
Distributed by
www.Ameraproducts.com
Phone: (800) 608-6568
Fax: (409) 840-5545
info@ameraproducts.com

| | |
|-----------------|--------------------|
| MODEL №: | 64672-XX |
| ISSUED: | 20 DEC 2018 |
| REVISED: | 6 FEB 2019 |

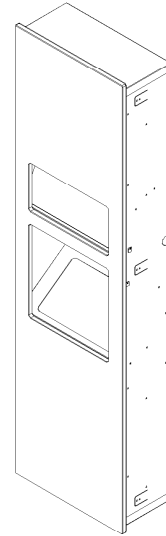
PIATTO™ COLLECTION THREE-IN-ONE PAPER TOWEL DISPENSER WITH WASTE RECEPTACLE AND AUTOMATIC ELECTRIC HAND DRYER (PG 1 of 2)



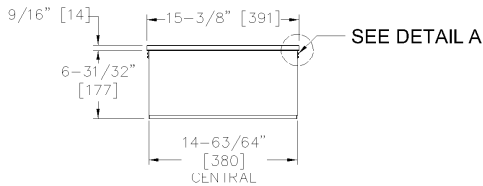
FRONT VIEW



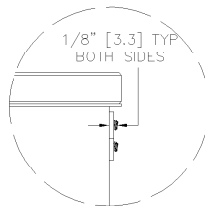
SIDE VIEW



ISOMETRIC



BOTTOM VIEW



DETAIL A

NOTE
 ALL DIM'S INCH [MM]
 ILLUSTRATION FOR REF ONLY AND NTS

FOR CLEANING INSTRUCTIONS SEE APPROPRIATE SECTIONS IN PRODUCT CARE & MAINTENANCE BULLETIN (PCM) ON ASI WEBSITE

SPECIFICATION

Piatto™ Collection Three-in-One Paper Towel Dispenser with Waste Receptacle and Automatic Electric Hand Dryer shall hold and dispense 500 standard multi-fold or 400 standard C-fold paper towels, and shall have a waste capacity of 6.8 gallons (26 liters). Frame and cabinet shall be 20 gage type 304 alloy 18-8 stainless steel and shall have no exposed fastening devices. Towel dispensing slot shall have a fully hemmed-in rolled edge for snag-free dispensing and user safety. Waste receptacle shall have piano-hinge mounted closed top with spring-hinge closed flap door and hemmed edges for safety. Flush face door shall be 1/2" [13] thick black edged Phenolic with matte black or white outer and inner surfaces as chosen by tail code on model number. Door shall be attached to the side of cabinet with four (4) zero-clearance concealed cabinet hinges and shall be held closed with a spring-pin L-latch. Structural assembly of all components shall be of welded construction. OM & IG shall be packed with unit. Installation set-back gage and depth stops shall be provided.

Piatto™ Collection Three-in-One Paper Towel Dispenser with Waste Receptacle and Automatic Electric Hand Dryer shall be Model № 64672-__ (specify voltage option per schedule)-XX (Replace -XX with -00 for White or -41 for Matte Black) as Manufactured by American Specialties, Inc., 441 Saw Mill River Road, Yonkers, New York 10701-4913



MODEL №: 64672-XX

ISSUED: 20 DEC 2018

REVISED: 6 FEB 2019

PIATTO™ COLLECTION THREE-IN-ONE PAPER TOWEL DISPENSER WITH WASTE RECEPTACLE AND AUTOMATIC ELECTRIC HAND DRYER (PG 2 of 2)

INSTALLATION

Mount unit in wall recess using six (6) № 10 x 1-1/2" [M5 x 38] self tapping Pan Head screws (by others) through concealed mounting holes provided in Shim-less adjustable mounting tabs. For compliance with 2010 ADA Accessibility Standards install unit so that towel dispenser outlet is 48" [1219] maximum above finished floor (AFF). See IG diagram for electrical service cable rough-in location. Electric service is supplied and connected (by others) prior to installing cover and brought to FWO at location indicated on diagram and is hooked up (by others) in accordance with schematic and OM & IG provided with unit. Dryer is mounted to chassis wiring box with four (4) 1/4-20 pan head screws (provided) through bushings in heavy-duty back plate. Electrical service is connected (by Electrician) prior to installing cover. Cover is secured to back plate with recessed socket-pan-head tamper-resistant pin-hex bolts (supplied) with security pin-hex driver (supplied). See OM & IG for complete installation instructions packed with unit.

Finished Wall Opening (FWO) required is 15-7/16" [392] W x 55-7/16" [1408] H x 7-5/8" [194] D minimum

OPERATION

Paper towels are manually withdrawn through dispensing slot and feed properly until depleted. Unit will continue to feed towels properly when correctly reloaded with a partial load in place. User activates dryer by placing hands in the sensor zone indicated by graphic on door. Drying time is automatically initiated as long as movement is sensed up to a maximum of two (2) minutes to prevent accidental hold-on. Dryer automatically shuts off after time-out when hands are removed from the sensor zone. Refill dispenser by opening door and replacing towels for an empty or partially empty unit. Dispenser supply is replenished and waste container is emptied manually on cycles determined by maintenance needs. Full cover and spring-hinge flap door on WR prevents unsightly overloads.

RATINGS

| MODEL | TYPE | VOLTS @ 50/60 Hz | AMPS | WATTS | DRYING TIME | DRYING PERSISTENCE |
|------------------------|-------------------------|------------------|------|-------|------------------------------------|---|
| 64672-1-XX (0199-1) | Fixed nozzles for hands | 110 ~ 120 | 8.33 | 1000 | Automatic, Less than 15 seconds | Automatic 2 second Hold-On Shut-Off delay |
| 64672-2-XX (0199-2) | Fixed nozzles for hands | 208 ~ 240 | 5.2 | | | |

| AIRSPPEED (MAX) | MOTOR | H/P | RPM x 1000 | FAN TYPE | AIR FLOW (MAX) | HEATING ELEMENT | OUTPUT AIR TEMPERATURE |
|--|---|------|------------|-------------------------|------------------|--|---|
| 230 ft/s [157 mi/h] (70 m/s [252 km/h]) | Brush Type Dual Ball Bearings with 275°F (135° C) or 203°F (95° C) auto reset circuit breaker | 0.67 | 29 | Multi Inlet Centrifugal | 60 CFM (102m³/h) | 325~450 W Nichrome wire with auto reset circuit breaker and thermostat adjustable by owner | 131° F (55° C) @ 77° F (25° C) ambient room temperature adjustable by owner |