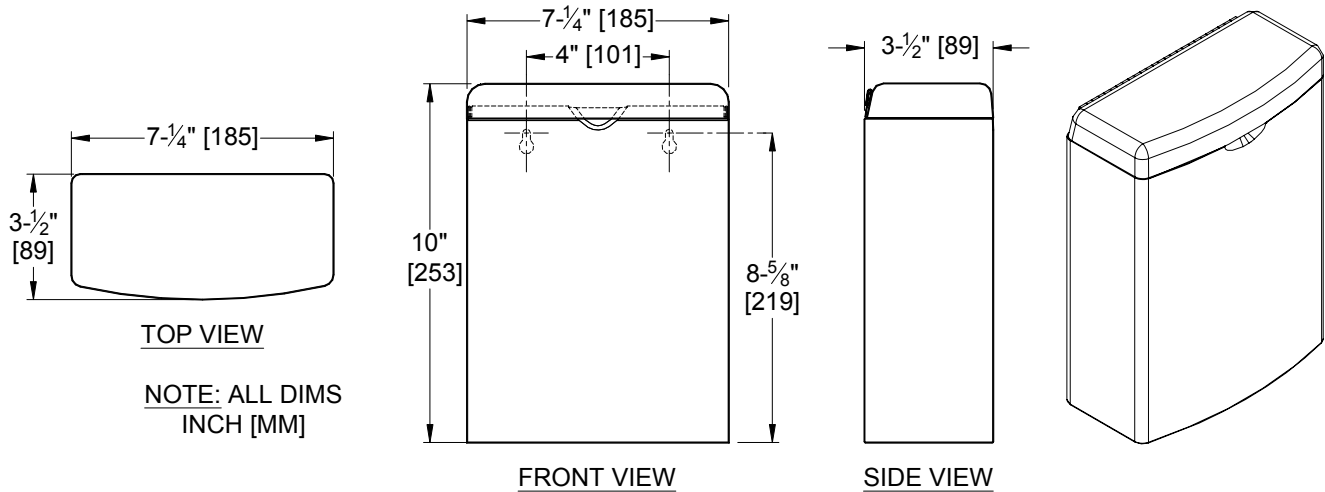




Distributed by
 www.Ameraproducts.com
 Phone: (800) 608-6568
 Fax: (409) 840-5545
 info@ameraproducts.com

MODEL №: 20852
 ISSUED: 09/09
 REVISED:

ROVAL™ SURFACE MOUNTED SANITARY WASTE RECEPTACLE



SPECIFICATION

Roval™ Collection Surface Mounted Sanitary Waste Receptacle shall hold 1 gallon (3.8 liters) of waste material. Cabinet full top cover shall be drawn seamless and receptacle body shall be formed seamless and shall have bowed front face and gently radiused front vertical edges to provide added strength and complimentary appearance for modern washroom aesthetics. Full top door shall be 22 gauge type 304 stainless steel alloy 18-8 with satin finish and shall be attached to the cabinet at back with a concealed full-width 9/64" diameter (Ø3.5) heavy-duty stainless steel multi-staked piano hinge. Structural assembly of body and door components shall be of welded construction. Unit shall be 22 gauge type 304 stainless steel alloy 18-8 with satin finish and shall have contoured cover finger lift relief and be protected during shipment with PVC film that is easily removable after installation. Receptacle full top edge is hemmed with return to inside for user and service safety. Receptacle shall have no exposed fastening devices or spot-welded seams. Receptacle shall be screw mounted to wall or partition through concealed keyhole slots provided through rear panel.

Roval™ Collection Surface Mounted Sanitary Waste Receptacle shall be Model № 20852 of American Specialties, Inc., 441 Saw Mill River Road, Yonkers, New York 10701-4913

INSTALLATION

For general utility mount the receptacle 28" to 40" (711 to 1016) above finished floor (AFF) from top of unit. For compliance with ADA Accessibility Guidelines install unit so that top cover is no higher than 48" (1219) above finished floor. Hang unit on wall with two (2) pre-installed № 10 x 1-1/4" (32) self-tapping pan head screws (by others) through the mounting keyhole slots provided into suitable wall reinforcements (by others) or two (2) pre-installed № 10 x 3/4" (19) self-tapping pan head screws (by others) through the mounting keyhole slots provided into metal partition.

OPERATION

User lifts lid to deposit waste material. Maintenance schedule determines trash removal cycle. Unload unit by either removing the disposable wax paper liner bag (by others) or unhooking the unit from the mounting screws and inverting to empty into appropriate bulk collection container.