



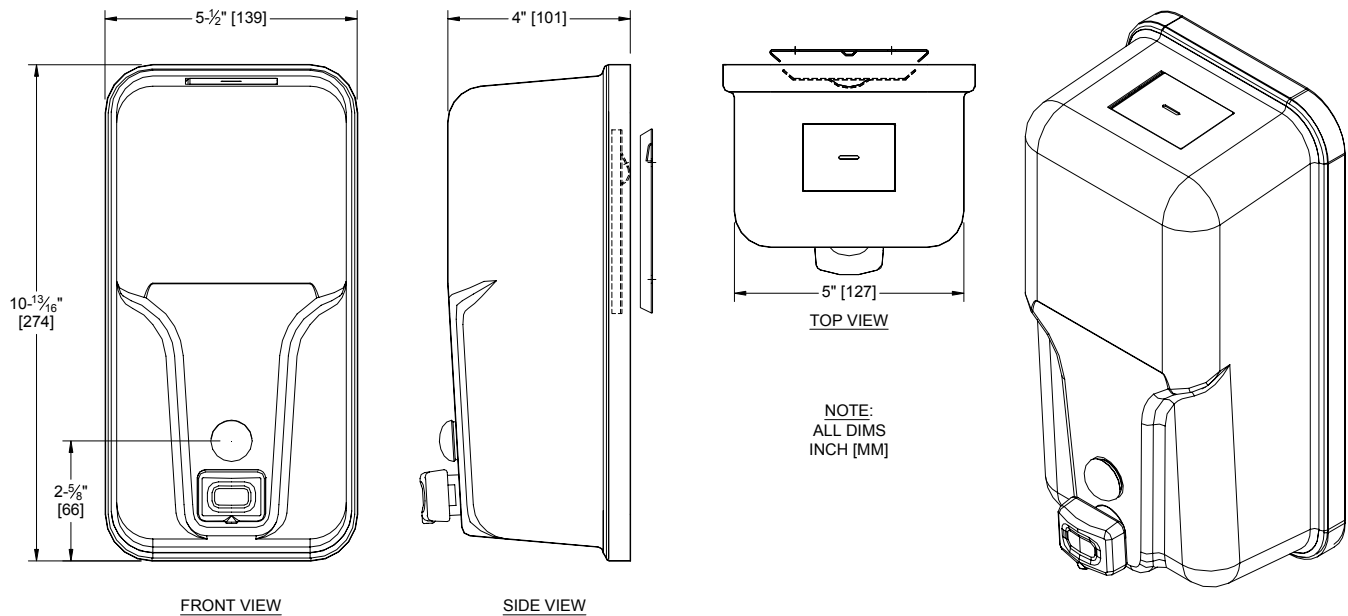
Distributed by  
www.AmeraProducts.com  
Phone: (800) 608-6568  
Fax: (409) 840-5545  
info@ameraproducts.com

MODEL №: 20363

ISSUED: 03/10

REVISED:

## SURFACE MOUNTED VERTICAL SOAP DISPENSER



### SPECIFICATION

Surface Mounted Vertical Soap Dispenser shall hold 57 oz (1.7 liter) of soaps, synthetic detergents and antibacterial soaps containing PCMX and/or Triclosan within the viscosity range of 1 – 5500 cP (MPa·s). Valve shall be constructed of a plastic valve body and push button with stainless steel and plastic internal parts. Valve operation shall comply with ADA Accessibility Guidelines by requiring no more than 5 lbs<sub>f</sub> (22.2 Newtons) pressure to actuate and require no grasping or twisting by operator. Unit shall have a hinged stainless steel refill door on top of unit, which is opened with special key provided. Unit shall be fabricated of 22 gage type 304 stainless steel alloy 18-8 (.031" [0.8] thick) with a uniform satin finish over all exposed surfaces.

**Surface Mounted Vertical Soap Dispenser shall be Model № 20363 of American Specialties, Inc., 441 Saw Mill River Road, Yonkers, NY 10701-4913**

### INSTALLATION

Secure concealed mounting plate (supplied) to wall or partition with three (3) self-tapping screws № 8 x 3/4" (M4.5 x 20) pan head (by others) through mounting holes provided in plate into plastic wall anchors or other suitable mounting system (provided by others). Unit is secured to interlocking wedge bracket and locked in place by a locking screw (supplied) installed through hinged refill door. Recommended installation for general utility is 42" (1066) AFF or 6" (152) minimum above washbasin. Fill tank with appropriate viscosity soap to correct level and lock door. Locking door protects soap from inadvertent introduction of contaminants. Retain key provided for future access.

### OPERATION

Push button to dispense soap. Unit is refilled through hinged door at top requiring special key (supplied) to open. Soap tank will continue to feed properly until soap level is below valve intake port. Tank supply is replenished manually on cycle determined by maintenance needs.