



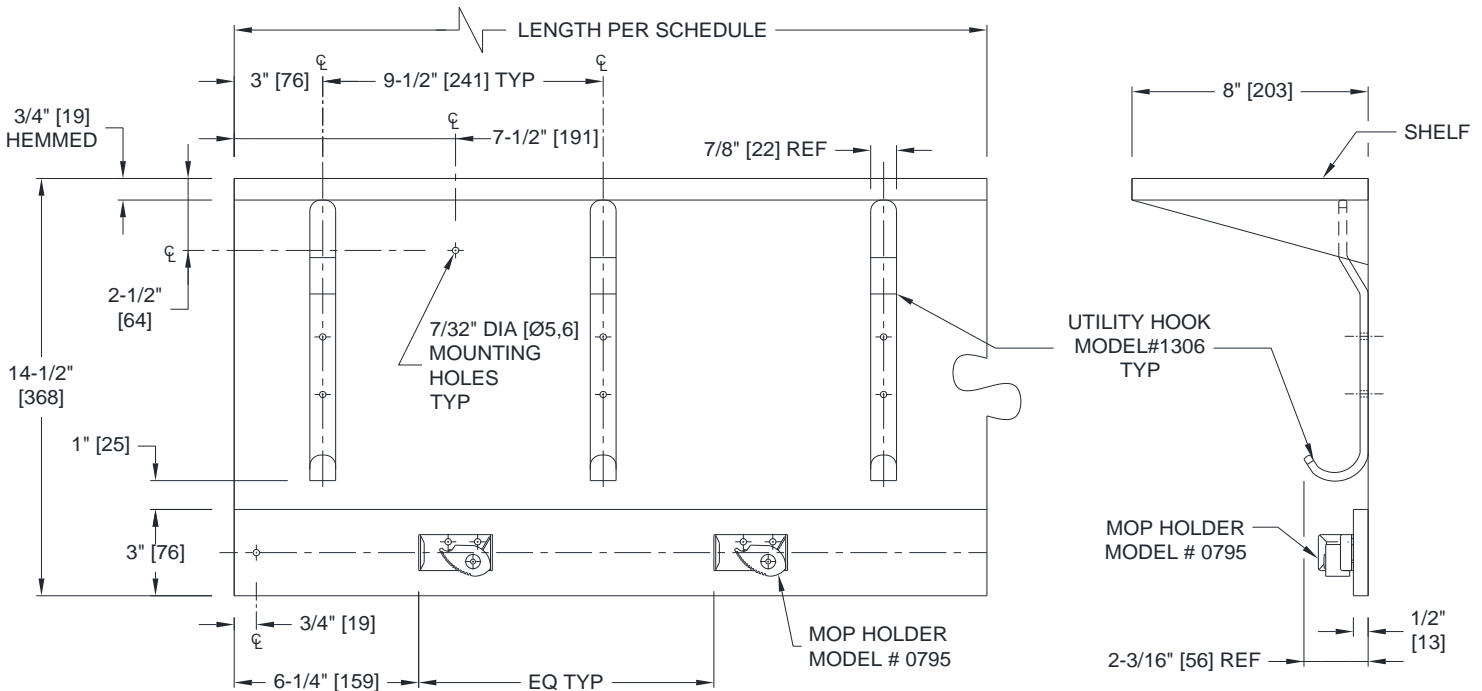
Distributed by  
 www.Ameraproducts.com  
 Phone: (800) 608-6568  
 Fax: (409) 840-5545  
 info@ameraproducts.com

MODEL №: 1308

ISSUED: 01-87

REVISED: 10 APR 2019

## SHELF WITH UTILITY HOOKS AND MOP STRIP



**NOTE:**

ALL DIM'S INCH [MM]

ILLUSTRATION FOR REF ONLY AND NTS

**Schedule of Availability**

Model №	Length	Mop Holder Quantity	Utility Hook Quantity
1308-3	34" [864]	3	4
1308-4	44" [1118]	4	5

### SPECIFICATION

Shelf with Utility Hooks and Mop Strip shall have shelf and mop strip fabricated of 18 gauge type 304 stainless steel alloy 18-8. Utility hooks shall be fabricated of stainless steel 14 gauge. Shelf, utility hooks and mop strip shall have satin finish and be protected during shipment with PVC film easily removable after installation. Shelf, back and mop strip shall be one piece construction. Mop strip shall be raised 1/2" [13] from wall. Mop holders shall be fabricated of cadmium plated steel and shall be ribbed for rigidity. Pivoting, spring-loaded, serrated rubber cam shall hold round handles of 7/8" to 1-1/4" diameter [Ø22 to Ø32] wedged against ribbed clamp plate. Mop holders and utility hooks shall be riveted to mop strip.

**Shelf with Utility Hooks and Mop Strip shall be Model № 1308-\_\_\_\_ (-3 or -4) as manufactured by American Specialties, Inc., 441 Saw Mill River Road, Yonkers, New York 10701-4913**

### INSTALLATION

For general utility mount unit 66" [1676] above finished floor (AFF) from bottom of mop strip. Surface mount unit to wall with № 10 pan head self-threading screws (by others) through mounting holes provided in shelf back and mop strip.

### OPERATION

The shelf is used to store various self-contained items. Mop or broom handle is pushed into the grip jaw of the pivoting serrated rubber cam with an upward motion until it seats behind the rib on the clamp plate. A spring holds the cam against the handle. Gravity holds the mop clamped in position. Rags, mop heads, towels, etc., may be hung on the utility hooks.