



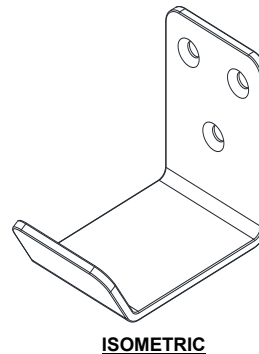
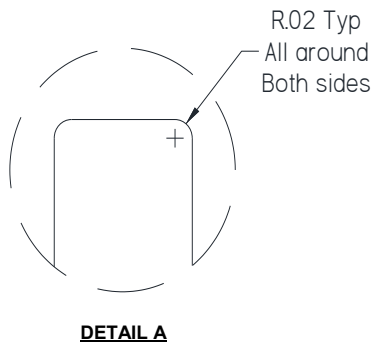
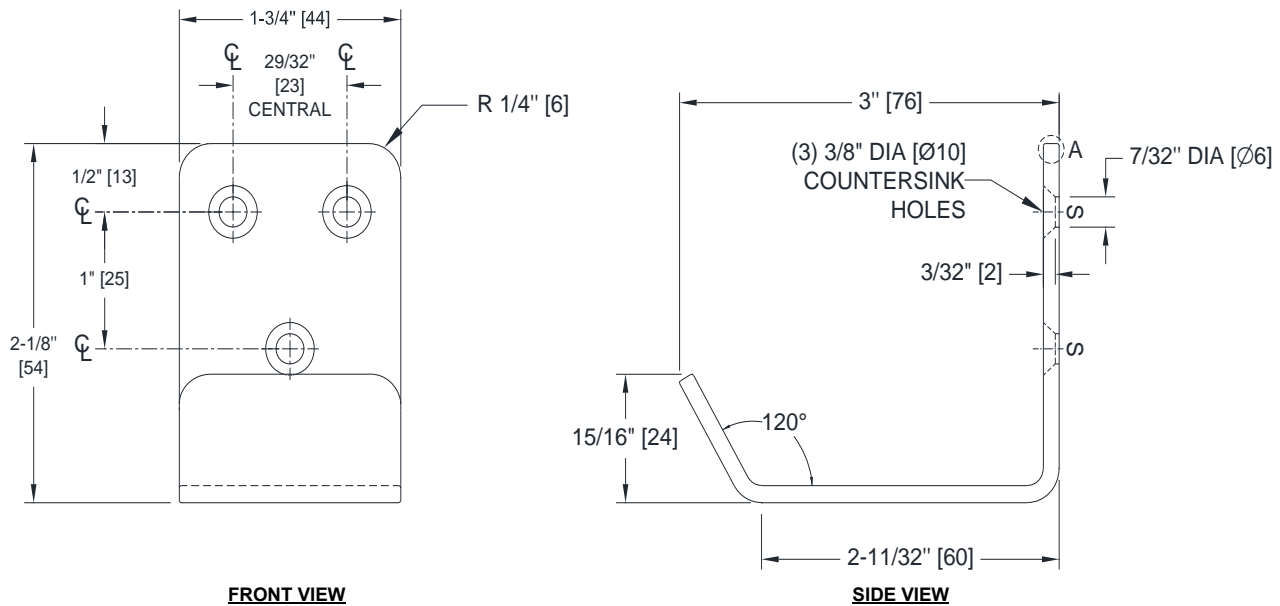
Distributed by  
www.AmeraProducts.com  
Phone: (800) 608-6568  
Fax: (409) 840-5545  
info@ameraproducts.com

MODEL №: 0503

ISSUED: 11 JUN 2020

REVISED:

## HANDS-FREE ARM GRIP DOOR PULL



**NOTE:**  
ALL DIM'S INCH [MM]  
ILLUSTRATION FOR REF  
ONLY AND NTS

### SPECIFICATION

Hands-Free Arm Grip Door Pull shall be 11 gage type 304 stainless steel alloy 18-8 with satin finish on exposed surfaces. Unit shall have radiused corners and fully deburred edges for user safety.

Hands-Free Arm Grip Door Pull shall be Model № 0503 as manufactured by American Specialties, Inc., 441 Saw Mill River Road, Yonkers, New York 10701-4913

### INSTALLATION

Surface mount unit on door in-swing side using three (3) №10 self-threading Phillips flat-head screws (by others) through holes provided into suitable prepared mountings (by others) or other suitable mounting hardware (by others) to suit door conditions. Grip may be placed below or adjacent (with adequate clearance) to conventional knob or lever type door handles on interior passage doors. Install unit at standard mid-door height (or no higher than 40" [1016] AFF for compliance with 2010 ADA Accessibility Standards and 2015 ABA Standards) to allow placing the forearm to pull door open.

### OPERATION

Hands-free arm grip door pull provides alternative to open doors without having to use hands.