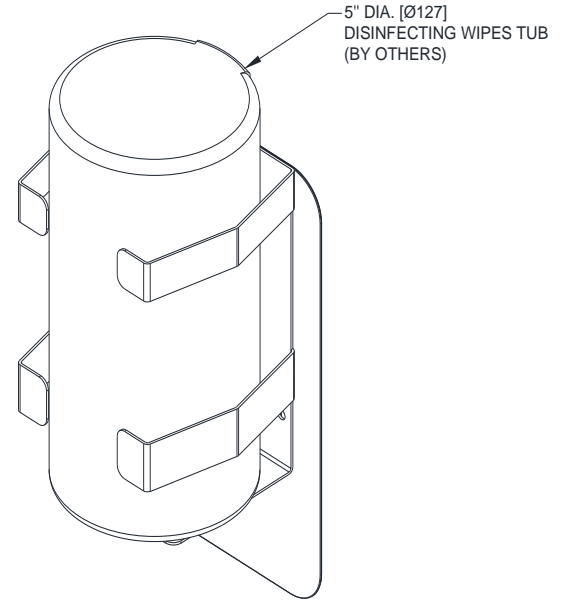
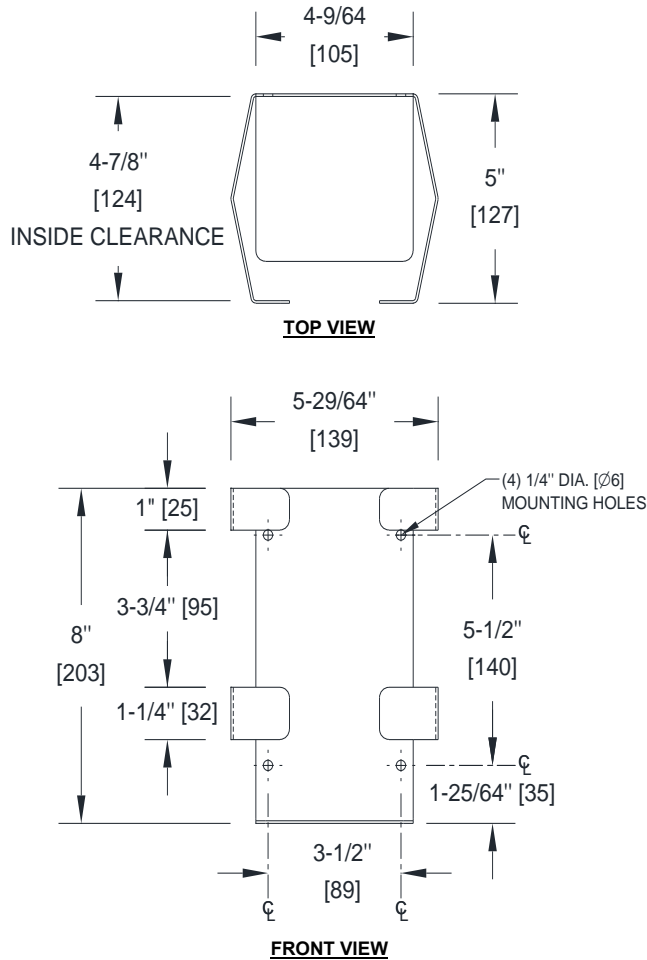




Distributed by
www.Ameraproducts.com
Phone: (800) 608-6568
Fax: (409) 840-5545
info@ameraproducts.com

MODEL №:	0502
ISSUED:	16 JUN 2020
REVISED:	

WIPES DISPENSER HOLDER



ISOMETRIC

NOTE:
ALL DIM'S INCH [MM]
ILLUSTRATION FOR REF ONLY AND NTS

SPECIFICATION

Wipes Dispenser Holder shall hold one (1) commercially available disinfecting wipes tub (by others) of 4-1/4" Dia x 8-1/2" High [Ø108 x 216] for top dispensing and shall be 16 gage [1,5] type 304 stainless steel alloy 18-8. Unit shall have satin finish on exposed surfaces and shall be protected during shipment with PVC film easily removable after installation. Unit shall have fully deburred edges for user safety.

Wipes Dispenser Holder shall be Model № 0502 as manufactured by American Specialties, Inc., 441 Saw Mill River Road, Yonkers, New York 10701-4913

INSTALLATION

Wipes Dispenser Holder shall mount on the FS-0300 Dispenser Stand (supplied separately) with double-sided tape (supplied with FS-0300) or wall mount in a convenient location chosen by owner with № 10 x 1-1/2" [M5 x 40] self-threading pan head screws (by others). Suggested location is to maximize access by intended users and to not interfere with any accessible route clearances. For compliance with 2010 ADA Accessibility Standards and 2015 ABA Standards wall mounted units should be installed with top of holder no higher than 46" [1168] AFF.

OPERATION

Wipes Dispenser Holder presents standard wipes tub (by others) for self-feeding until supply is depleted. Unit fits most standard Wipes Dispenser tub sizes. Unit should be cleaned and sanitized according to facility protocol on cycles determined by facility management. More information for care and cleaning of stainless steel is available on ASI web site.