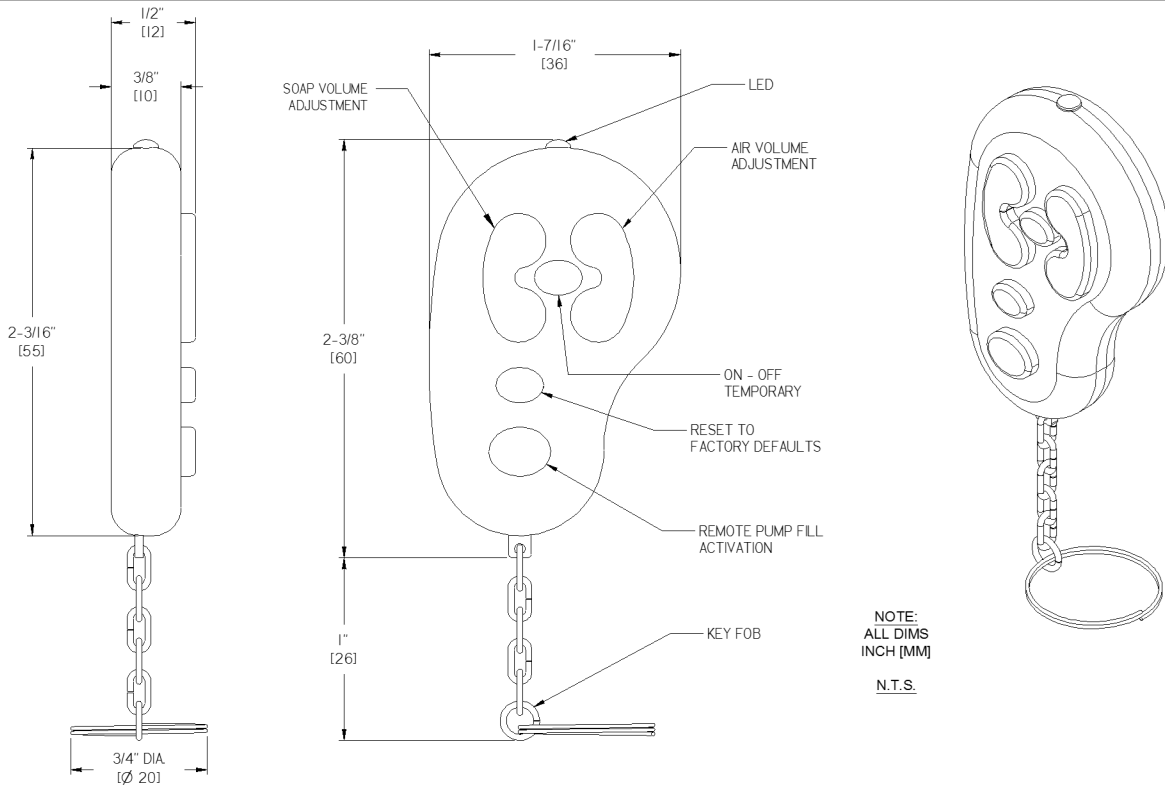




MODEL :	0393-R
ISSUED:	05/16
REVISED:	12 JUL 2016

EZFill™ AUTOMATIC FOAM SOAP DISPENSING SYSTEM REMOTE CONTROL



SPECIFICATION

EZFill™ Automatic Foam Soap Dispensing System Remote Control shall allow programming of all individual dispenser units. Hand held device housing shall be seamless molded plastic case halves closed with concealed snap latches and keypad buttons shall be soft-touch TPR. A dual function button shall allow selection of soap dispense volume. A dual function button shall allow adjustment of foam consistency. One button allows reset to factory settings. One button will temporarily disable the sensor to allow service in front of the unit without activation of a soap dispensing cycle, e.g. during cleaning. One button will activate the pump in continuous mode to prime the soap tube after refill of the soap supply. Each command button press will be acknowledged by the dispenser unit with an indication by LED flashes in unique sequences. Owner's Manual shall be provided with unit in carton.

EZFill™ Automatic Foam Soap Dispensing System Remote Control shall be Model 0393-R of American Specialties, Inc., 441 Saw Mill River Road, Yonkers, NY 10701-4913

INSTALLATION

Unit is supplied with batteries and requires no service maintenance. Keep in dry location. Key fob hole allows unit to be hung on hook or key-ring.

OPERATION

Remote is compatible with all EZFill™ Foam Soap Dispenser units to adjust programmed dispense amount. Left sector button, marked "SOAP", allows selection of dispense volume, identified as "+" and "-". Right sector button, marked "AIR", allows selection of air volume to adjust foam consistency, identified as "+" and "-". Separate button, marked "RES", resets unit to factory default condition. Separate button, marked "FILL", assists in pump priming after soap refill. Continuous run mode (1 minute time-out unless "FILL" pressed again to terminate cycle) facilitates delivery of fresh soap to dispenser. Button press "ON-OFF" suspends operation for 1 minute or until button re-pressed to restore operation. Hold remote directly in front of sensor to avoid possible interference with adjacent dispenser units, at a distance of 5" ± 1" [127 ± 25] to button-press initiate any of the commands. Each successful command implementation will be confirmed by LED flashes. Refer to Owner's Manual (supplied with unit) for complete description of LED flash codes and features.