



AMERICAN SPECIALTIES, INC.

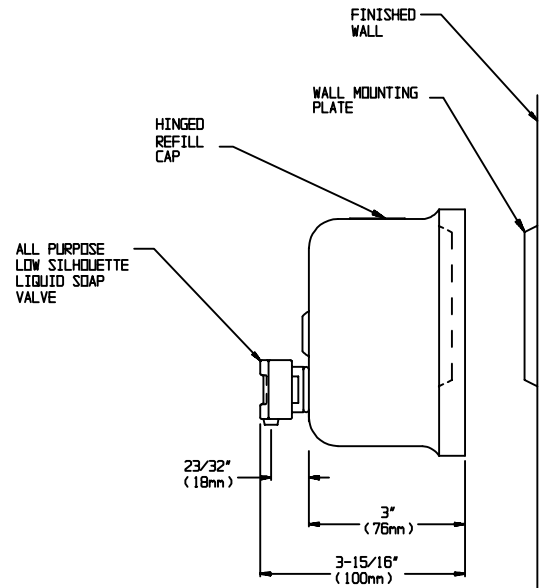
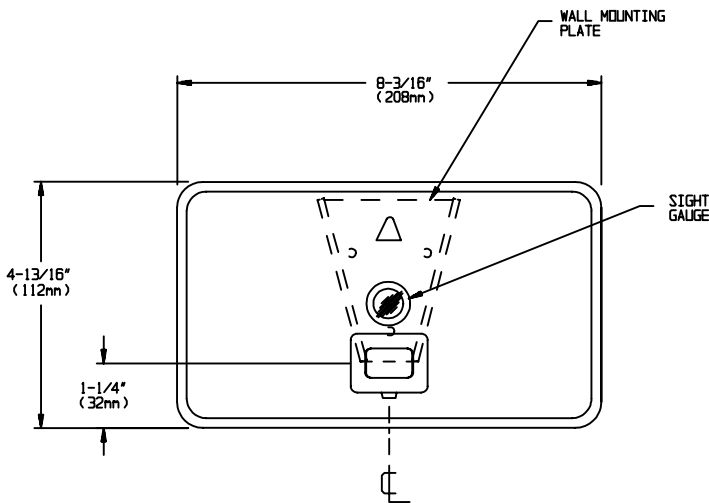
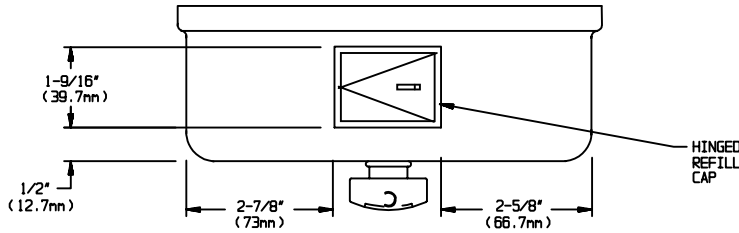
MODEL No: 0345

ISSUED: 7-05

REVISED: 6-06

SURFACE MOUNTED HORIZONTAL SOAP DISPENSER

Distributed by www.AmeraProducts.com Phone: (800) 608-6568 Fax: (409) 840-5545 info@ameraproducts.com



SPECIFICATION

Surface Mounted Horizontal Soap Dispenser shall have a capacity of 40 fluid oz. (1.18 liter) of liquid or lotion soaps, synthetic detergents and antibacterial soaps containing PCMX and/or Triclosan. Dispenser shall be fabricated of 20 gauge stainless steel, alloy 18-8, type 304. All exposed surfaces shall be N° 4 satin finish. Valve shall be constructed of a plastic valve body and push button with stainless steel and plastic internal parts. Valve operation shall comply with ADA Accessibility Guidelines by requiring no more than 5 lbs. (22.2 Newtons) pressure to actuate and require no grasping or twisting by operator. A tamper resistant sight gauge shall be provided. Unit shall have a hinged stainless steel refill door on top of unit, which is opened with special key provided.

Surface Mounted Horizontal Soap Dispenser shall be Model N° 0345 of American Specialties, Inc., 441 Saw Mill River Road, Yonkers, New York 10701-4913

INSTALLATION

Unit is surface mounted to wall or partition with a wall mounting plate (supplied) and screws (by others). Unit is secured to interlocking wedge bracket and locked in place by a locking screw (supplied) installed through hinged refill door. Recommended installation for general utility is 42" (1066 mm) AFF or 6" (152mm) minimum above washbasin.

OPERATION

Push button to dispense soap. Unit is refilled through hinged door at top requiring special key (supplied) to open. Soap tank will continue to feed properly until soap level is below valve intake port. Tank supply is replenished manually on cycle determined by maintenance needs.

Accessory Specialties

AMERICAN DISPENSER

Desert Ray Products

WATROUS INC.