



Distributed by
www.Ameraproducts.com

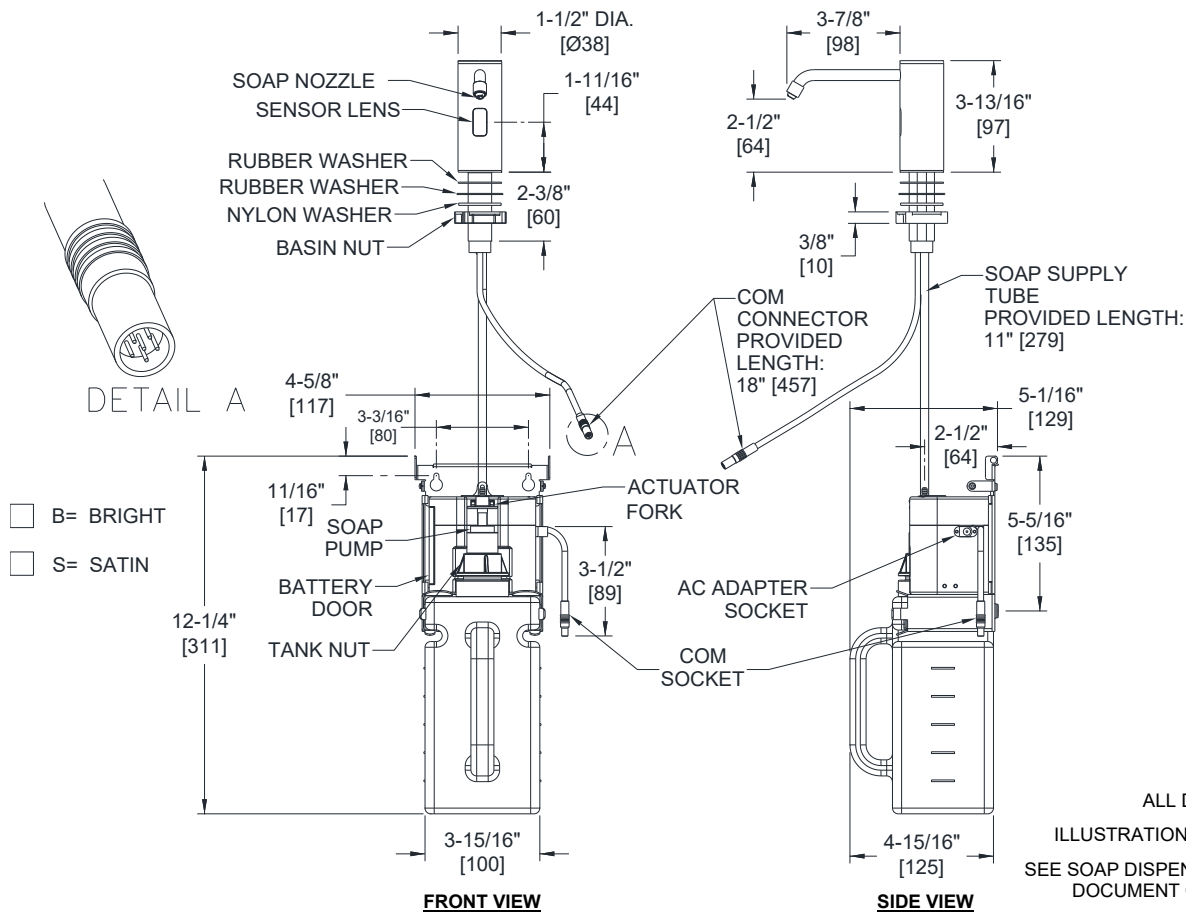
Phone: (800) 608-6568
Fax: (409) 840-5545
info@ameraproducts.com

MODEL №: 0334

ISSUED: 2/2017

REVISED: 21 MAY 2020

VANITY MOUNTED STAINLESS STEEL AUTOMATIC LIQUID SOAP AND SANITIZER DISPENSER



SPECIFICATION

Vanity Mounted Stainless Steel Automatic Liquid Soap and Sanitizer Dispenser shall hold and dispense 51 Fl Oz [1.5 L] of liquid soap or gel hand sanitizer having a pH in range 7 ± 1.5 and soaps only having viscosity in range 5–3k cP (mm^2/s [mPa·s]) or gel sanitizers having viscosities in range 3.5k - 23k cP (mm^2/s [mPa·s]). Dispenser spout body shall be type 304 stainless steel alloy 18-8 and all exposed stainless steel surfaces shall be satin finish or bright finish as chosen by suffix code (-S for satin or -B for bright). Dispenser shall be powered by four (4) AA-size (1.5V) batteries (by others) and shall operate automatically from IR sensor that shall activate filled products dispensing when hands are placed in sensor zone. An optional AC adapter is available (order Model № 72-ACA separately). Sensor detection range shall be preset at $4\text{-}3/4" \pm 1\text{-}1/2"$ [121 ± 38] and shall self-compensate for lighting conditions. An indicator LED shall provide status notification of battery condition, soap or sanitizer level and condition, and user sensor detection. Unit shall dispense a volume of .034 ~ .051 fl oz (1 ~ 1.5 ml) of liquid soap or sanitizer during each activation. Supply tank installed under vanity is clear with graduated markings to continuously provide soap or sanitizer level indication. An Owner's Manual and Installation Guide (OM & IG) and Mounting Template (MT) shall be provided with unit in carton.

Vanity Mounted Stainless Steel Automatic Liquid Soap and Sanitizer Dispenser shall be Model № 0334-____ {specify finish suffix code} of American Specialties, Inc., 441 Saw Mill River Road, Yonkers, New York 10701-4913

INSTALLATION

Mount unit to counter top with washers and basin nut (supplied) into 1" diameter [Ø25.4] hole located in counter top per template or to suit site conditions. Install pump control module with supply tank under vanity as per MT provided. Installation and Operation Instructions (OM & IG № 1701181548) and a mounting template (MT № 1701161327) are provided with unit in carton.

OPERATION

Liquid soap or gel sanitizer is automatically dispensed when hands are placed in sensor zone. LED indicator flashes once to indicate detection of object in sensor zone. Diagnostic constant or green or red LED flashes indicate battery and/or dispense product condition (see OM for full description). Dispenser will continue to feed properly until empty. Tank supply is replenished manually on a cycle determined by maintenance needs. See OM for complete maintenance and refilling instructions.