



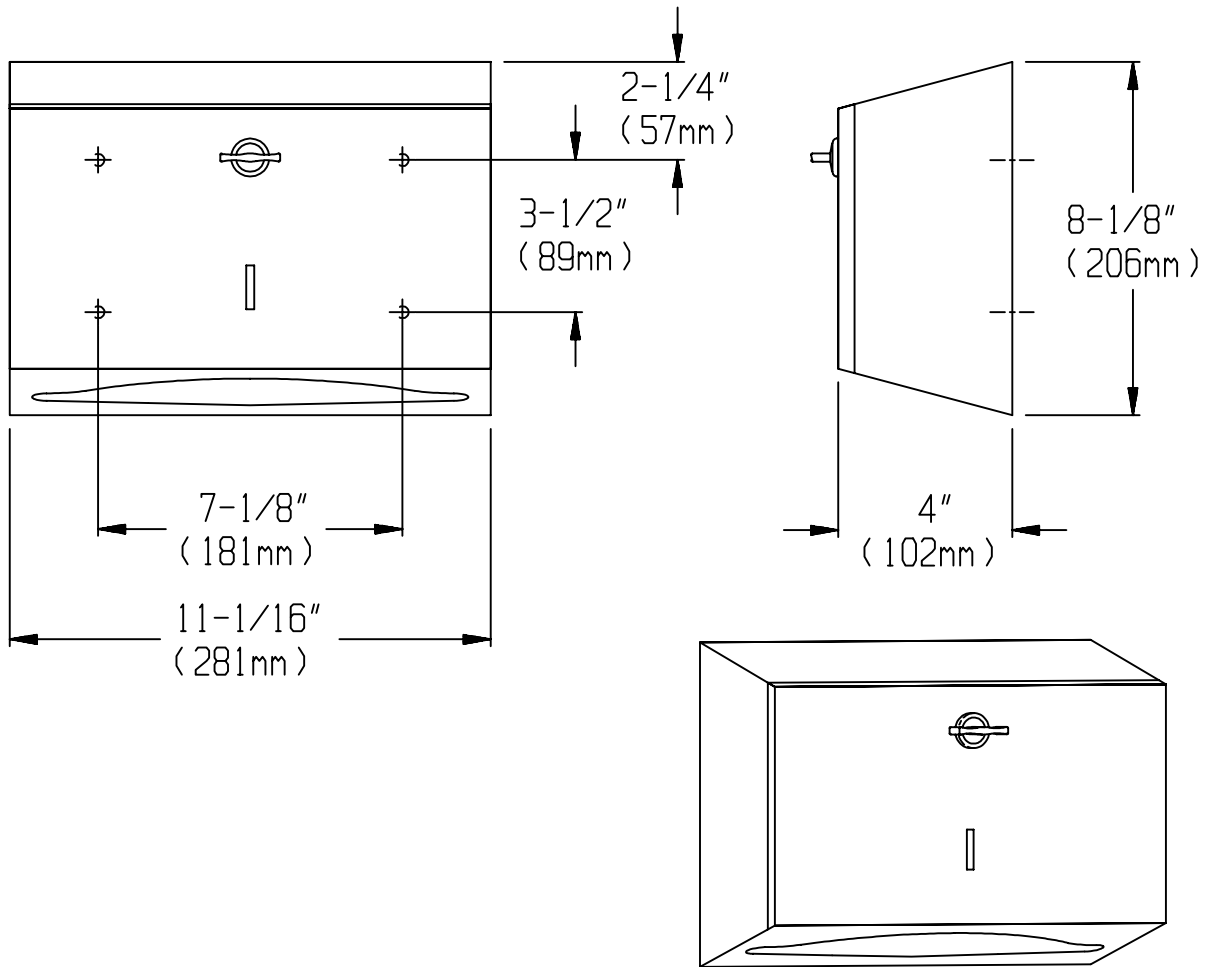
Distributed by
www.Ameraproducts.com
Phone: (800) 608-6568
Fax: (409) 840-5545
info@ameraproducts.com

MODEL No: 0215-TT

ISSUED: 1-04

REVISED:

SURFACE MOUNTED PAPER TOWEL DISPENSER WITH THUMB TURN LOCK



SPECIFICATION

Surface Mounted Paper Towel Dispenser with Thumb Turn Lock shall hold and dispense 250 standard C-fold or 300 standard multi-fold paper towels and shall be fabricated of alloy 18-8 stainless steel, type 304, 22 gauge. All exposed surfaces shall be No. 4 satin finish and be protected during shipment with a PVC film easily removable after installation. Towel dispensing slot shall have a fully hemmed-in rolled edge for snag-free dispensing and user safety. Door shall be attached to cabinet at bottom with a full length 3/16" diameter stainless steel multi-staked piano hinge and shall be held closed with a thumb turn lock. Structural assembly of body and door components shall be of welded construction. Unit shall be provided with a refill view slot on front and shall dispense without use of adapters.

Surface Mounted Paper Towel Dispenser with Thumb Turn Lock shall be Model No. 0215-TT as manufactured by American Specialties, Inc., 441 Saw Mill River Road, Yonkers, New York, 10701-4913.

INSTALLATION

Unit is surface mounted on wall or partition using four (4) No. 10 self tapping screws (by others). For compliance with ADA Accessibility Guidelines, unit should be installed so that towel dispenser slot is 54" (1372mm) maximum above finished floor (AFF) if clear floor side reach access is provided or 48" (1219mm) maximum AFF if clear floor forward reach access only is provided or 46" (1168mm) maximum AFF if side reach over an obstruction (vanity) is only provided.

OPERATION

Towels are self-feeding until supply is depleted. Unit may be refilled with a partial load in-place and will continue to feed properly. Low level of towel supply and refill level is indicated by view slot on front.

Accessory Specialties

AMERICAN DISPENSER

Desert Ray Products

WATROUS INC.