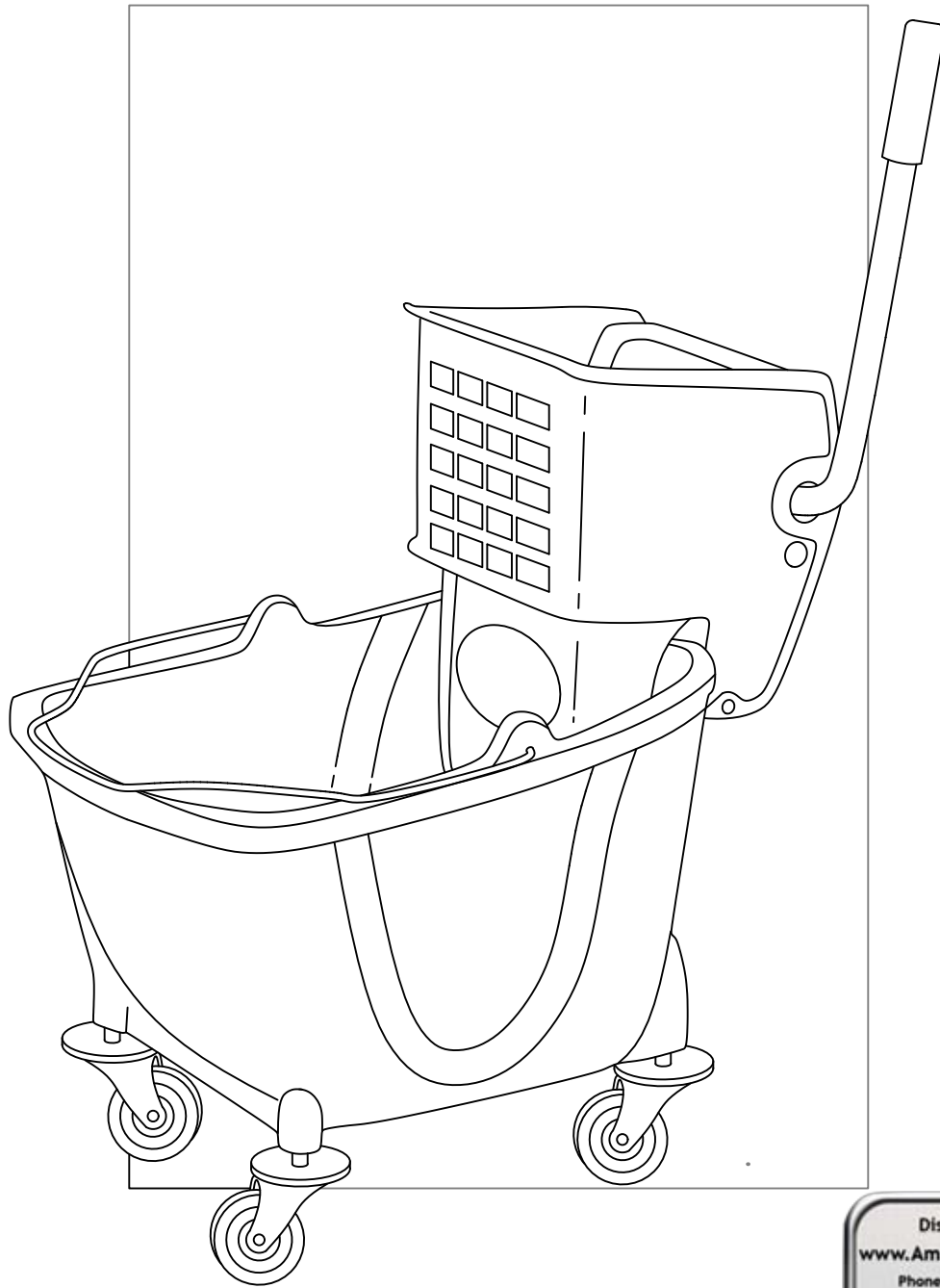




SIDE PRESS SINGLE MOP BUCKET

MODEL 462



Distributed by
www.Ameraproducts.com
Phone: (800) 608-6568
Fax: (409) 840-5545
info@ameraproducts.com

ASSEMBLY & OPERATION MANUAL

INTRODUCTION

Thank you for purchasing this Alpine Industries Side—press Single Mop and Bucket. This product was specifically designed and built for use in industrial settings and commercial offices to provide years of reliable service.

WARNING

This manual must be read carefully before attempting to operate this janitorial cart. Failure to follow safety rules or instructions outlined in this manual could cause the unit to not operate properly or cause damage. Alpine will not be liable for damages caused by failure to comply with the assembly and operating instructions outlined in this manual or damage caused by any improper usage. Failure to comply with the installation and operating instructions will void the warranty on this item.

1. Never use any liquids other than soap/water in the bucket.
2. Do not modify the device for uses that were not intended.
3. Always check for loose/damaged parts before use – if any loose or damaged parts are found take item out of use for servicing.
4. When replacing parts, use only identical parts.
5. Use proper personal protective equipment while using this device.
6. Secure long hair and loose fitting clothing while operating the device.
7. Use only on a flat surface capable of supporting the weight of the device when full of liquid.
8. NEVER ride or stand on the bucket or wringer. Keep children away.
9. Store unit in safe place when not in use.

SPECIFICATIONS

Dimensions: 22"L (56cm) x 16"W (41cm) x 15"H (38cm) [front] 17-1/2"H (45cm) [rear]

Bucket Volume: 9.5 Gal. (36L)

Bucket Depth: 9-1/2" (24cm)

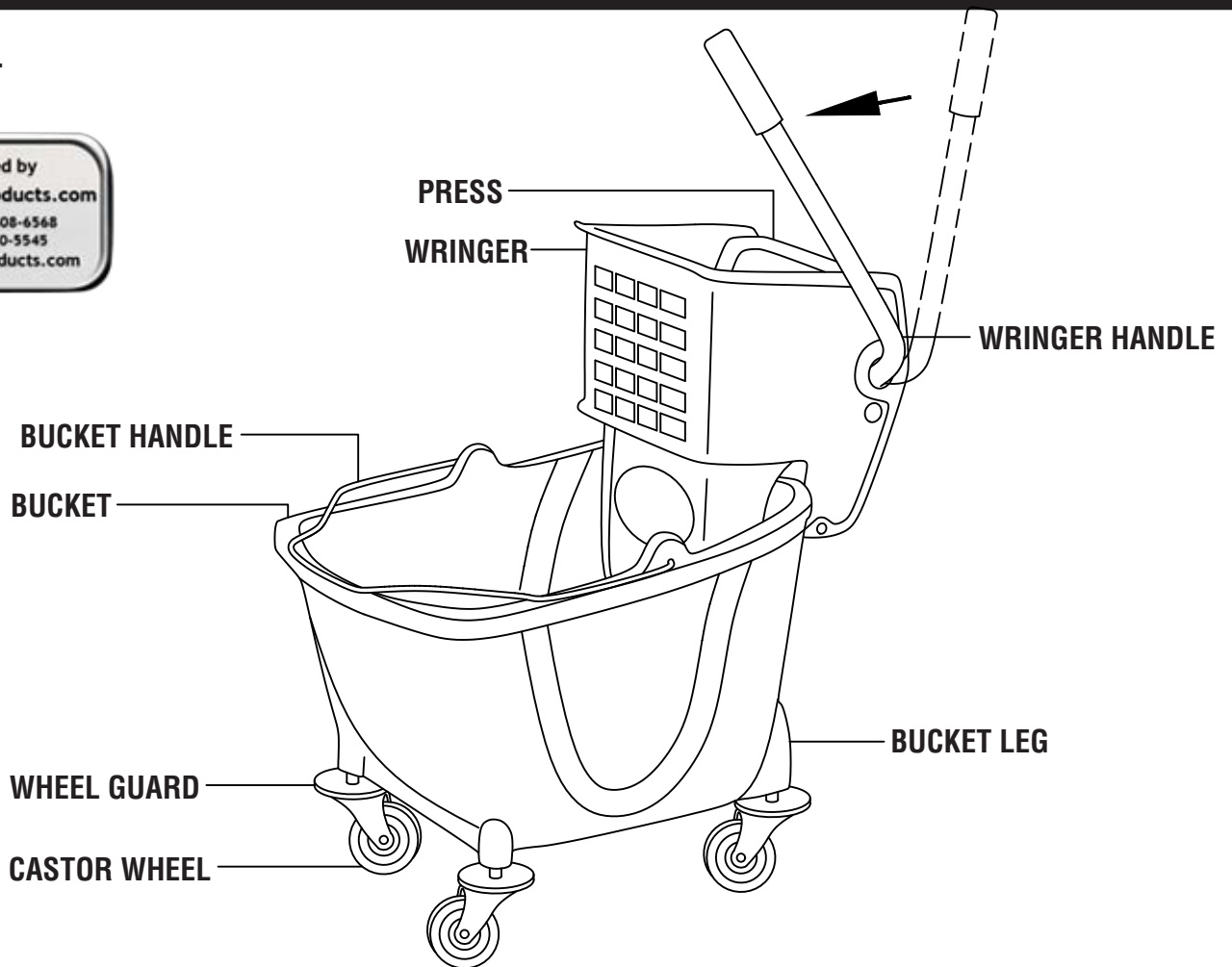
Wringer Dimensions: 8-1/2"L (22cm) x 6-1/2"W (16cm) x 7-1/2"H (19cm)

Material: High—impact polypropylene and non—corrosive steel alloy components

Swivel Casters: 3" (8cm) Dia. Weight: 17.7lbs. (8kg.)

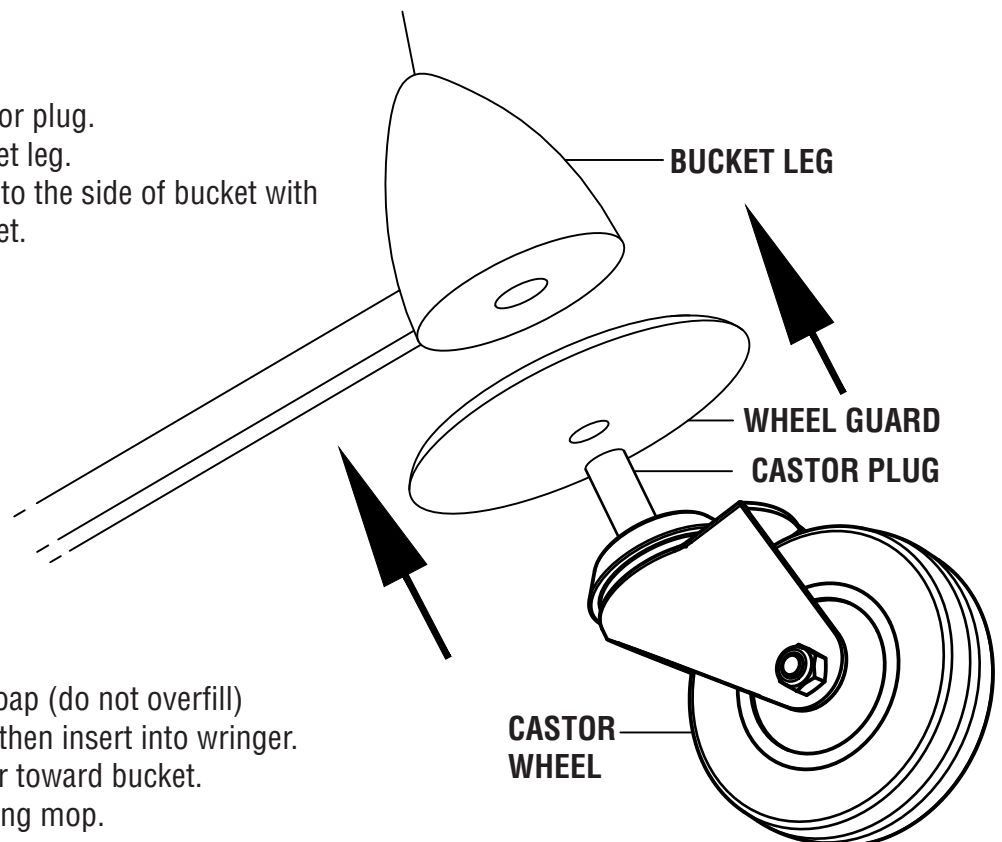


PART LIST



MINOR ASSEMBLY

1. Slide wheel guard over castor plug.
2. Press castor plug into bucket leg.
3. Set the lip of the wringer onto the side of bucket with handle facing away from bucket.



USING THE PRODUCT

1. Fill bucket with water and soap (do not overfill)
2. Insert mop into bucket and then insert into wringer.
3. Wring mop by pushing lever toward bucket.
4. Release lever before removing mop.

MAINTAINING THE PRODUCT

After each use, rinse the bucket with clean water and dry with a clean cloth. Store in a dry location. Inspect the wheels and remove any debris to keep castors functioning properly.

LIMITED WARRANTY

Terms and Conditions of the Alpine 1 Year Limited Warranty — Your warranty begins at the date the purchase, please retain your proof of purchase. The warranty coverage only covers the original owner. The replacement of any part is warranted for the remainder of the original warranty period.

What is Covered — The parts are warranted for a 1 year period from the date of purchase. Alpine Industries will provide part replacement for original defects, when in accordance to the owner's manual and installation guide.

What is Not Covered — Any damage to the product caused by accident, negligence, misuse, vandalism, external sources like weather, transit or, flood. Use of parts not installed or assembled in accordance to the instructions of Alpine. Use of components which are not Alpine parts. If installed outdoors or in a corrosive or wet environment containing hazardous chemicals. Damages caused by cleaning not in line with this manual instruction. Any loss of business, revenue, or personal injury as a result of the product failure, accident, abuse, or misuse.

Warranty Limitations and Exclusions — This limited warranty give you specific rights, and you may also have other rights which vary from state to state. Any other warranties relating to your Alpine product, including, but not limited to, warranty of merchantability, are limited to the duration of the warranty. Alpine will not be liable for consequential, incidental, special damages you may incur in connection to your Alpine product. Some states do not allow the exclusion or limitations of incidental or consequential damages so this limitation or exclusion may not apply to you.

To Request Warranty Service — Contact Alpine Industries offices. Proof of purchase required, 1 year warranty begins from date of purchase