

INSTALLATION / STEEL PARTITIONS

OVERHEAD BRACED

1 INSPECTION

The components for this project have been custom fabricated. They were inspected at the factory and all workmanship is guaranteed. Before beginning work, the units should be inspected. If damage occurred in transit, report immediately to the freight company or other agencies that may have caused the damage.

2 LAYOUT

- Review the layout drawings and package lists that have accompanied this job.
- Establish and mark pilaster center line from back wall.
- Establish and mark panel center lines for wall brackets.
- Establish pilaster floor fastener locations from side wall according to shop drawings. (Note floor fasteners are located 1" from edge of pilaster.)
- Mark wall bracket holes using brackets as templates.
- Drill holes for wall brackets and floor fastenings of appropriate size for particular fastening devices supplied.

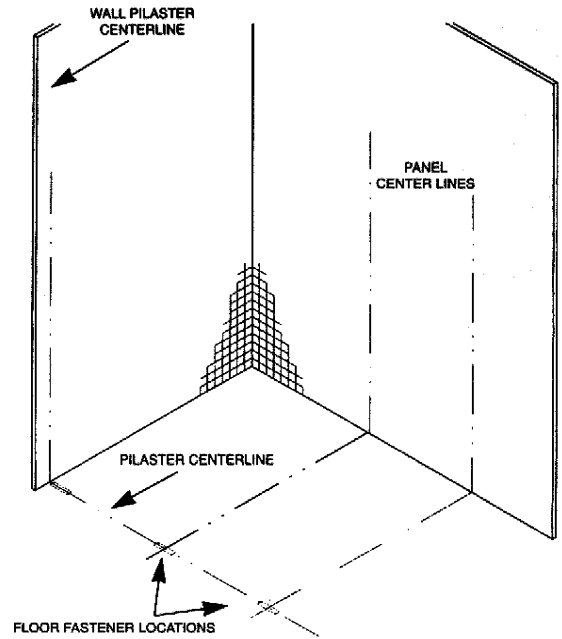


Figure 1

3 WALL BRACKETS & FLOOR BRACKETS

- Before proceeding, confirm that backing of wall and floor is adequate to support secure mounting of the toilet compartments.
- Insert shields or other floor fastening devices. Position shoe clips and mounting fork over shields and secure loosely with screws.

4 POSITION PANEL

- Place panel on a support 12" above the floor.
- Set it into wall brackets, but do not fasten panel at this time.

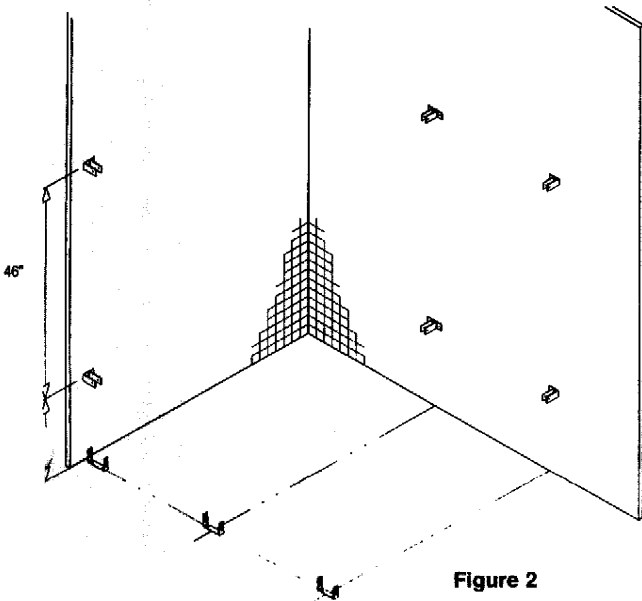


Figure 2

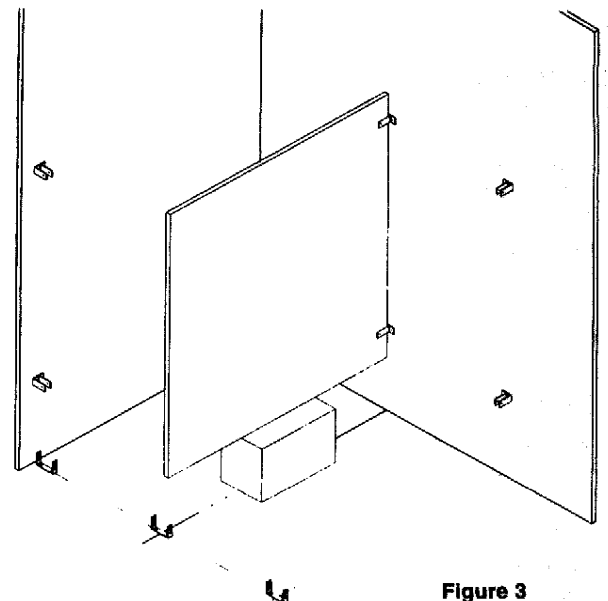


Figure 3

OVERHEAD BRACED

5 PILASTER PREPARATION

- Align U-brackets in position on rear of pilasters. Refer to layout drawings.
- Fasten U-brackets to pilasters with screws.
- Pilasters at wall do not require U-brackets, but should be prepared for wall (and floor fastening) as required by compartment layout. If floor fastening is omitted, three wall brackets should be used.

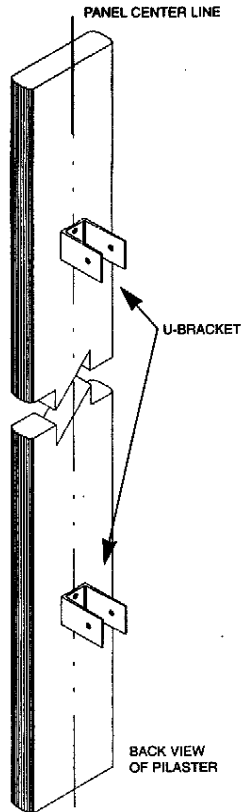


Figure 4

6 INSTALL PILASTERS

- Slide stainless steel shoe carefully over mounting end of pilaster and leave approximately 5" above end.
- Thread jack leveling bolt into mounting bracket at bottom of pilaster. Place pilaster on mounting fork and fasten loosely with screws at pre-drilled locations at each side.

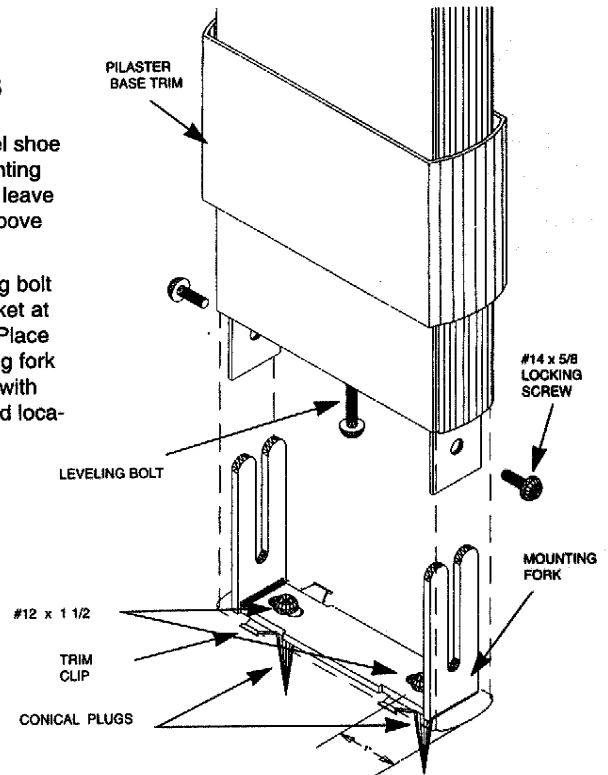


Figure 5

7 SECURING PILASTERS TO PANELS

Pilasters must be both plumb and level.

- Plumb pilaster and fasten pilaster to panel using through bolts with barrel nuts.
- Establish bottom door openings by adjusting pilaster to desired position and tightening screws.

8 HEADRAIL AND PANEL FASTENING

- Level headrail from one compartment to the next by adjusting the jack leveling bolt on the mounting at the bottom of pilaster. See figure 5.
- Tighten locking screws at sides of pilaster mounting bracket.
- Establish top door openings by mounting headrail and secure with screws on inside of pilaster.
- Slide stainless steel shoe down to floor level, firmly engaging shoe clips.
- Fasten panel to wall brackets using through bolts with barrel nuts.
- Remove panel support device.
- To insure rigidity, install headrail between end pilaster and wall by securing "F" brackets above end panel to surface of headrail and on opposing wall surface.

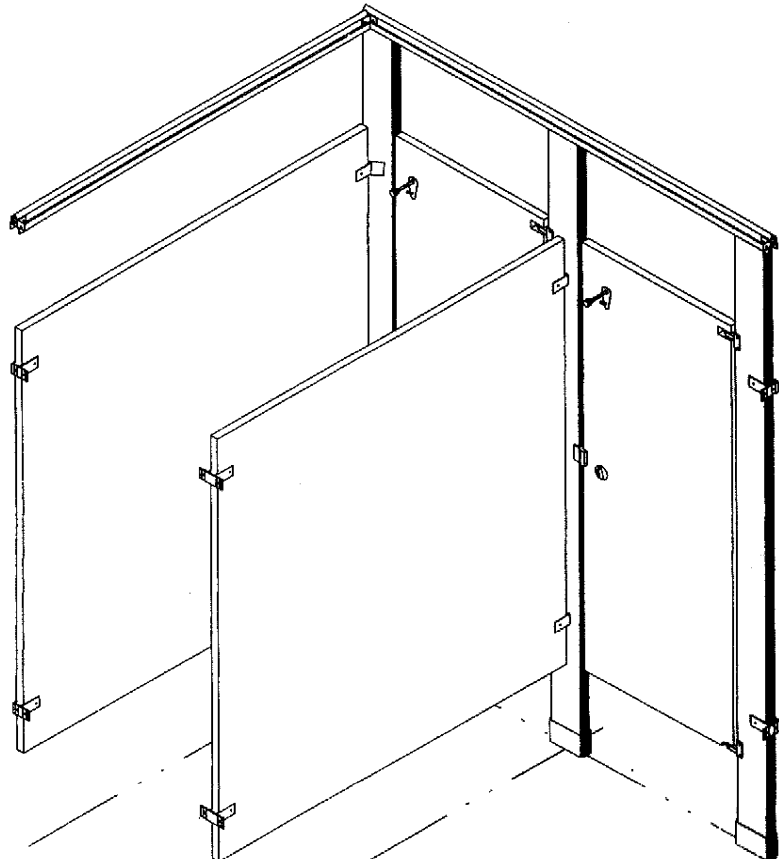


Figure 6

9 DOOR ASSEMBLY AND HANGING

The door hinge assembly consists of separate upper and lower pilaster brackets that are fitted into factory-installed door inserts.

- Attach top (Ah-2) and bottom (Ah-1) hinge bracket into factory drilled holes on pilaster using bolts provided.
- Place nyloner with flange down into bottom side of top bracket.
- Install first door by placing exposed part of nylon cam into bottom hinge bracket.
- It is now important to depress the door slightly in order to fit into the top hinge bracket.
- Install pivot pin, with timmerman clip attached, into top of door and drive pivot pin down below the top of the door.
- Insert locking bolt through the bottom hinge bracket and thread half way.
- Continue installation of remaining doors and pilasters as outlined above.

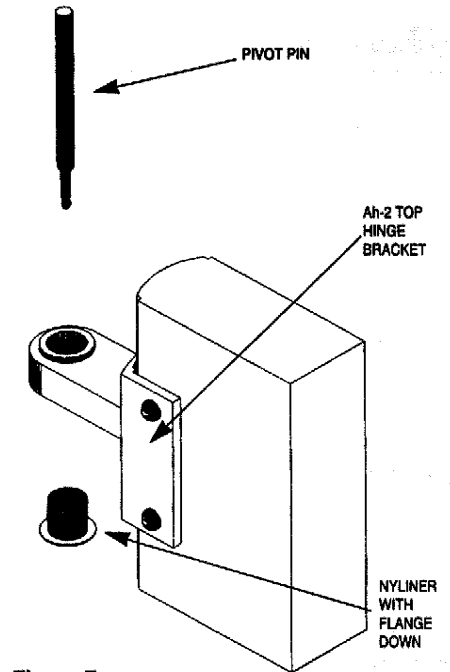
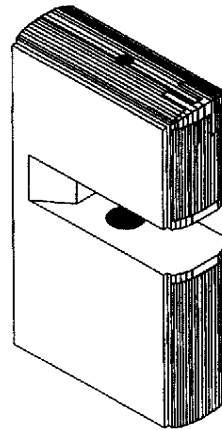


Figure 7

11 DOOR ADJUSTMENT AND HARDWARE ATTACHMENTS

- Set door in final position (usually 30° open) hold in position and tap the locking bolt firmly to set position. If door remains in desired position, tighten locking bolts. If door is to be in closed position overswing door past pilaster several inches and then tighten locking bolt.
- Attach strike and keeper to pilaster once location has been determined.
- Insert the ACL 3 knob on inside of door and at same time insert the ACL 6 escutcheon on outside of door. Snap door latch parts together and move latch vigorously to determine latch is locked in. Use the same procedure for the ADA handicapped paddle latch system.
- Attach the coat hook and bumper to the inside of all standard doors 3" from top edge and 6" from side edge with screws. For handicapped doors attach the coat hook in the center of door 54" above the finished floor.

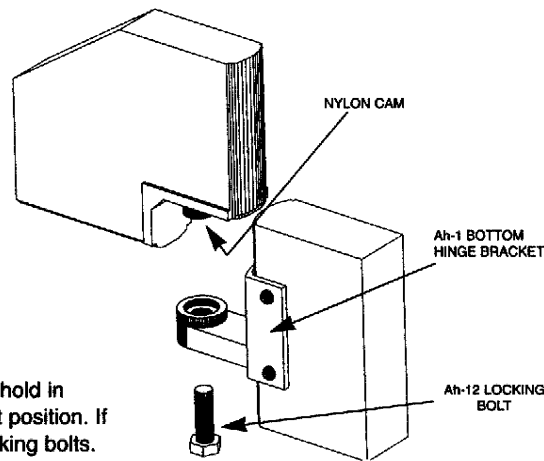


Figure 8

10

Place a carpenter's level on top of panel and wedge out from rear wall until level. Attach panels to wall stirrup brackets with screws or by thru bolting. Continue procedure for all panels.

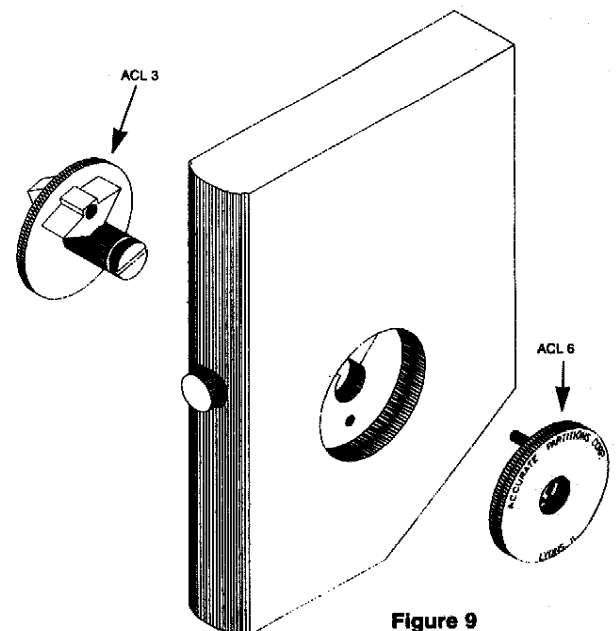


Figure 9

INSTALLATION / STEEL PARTITIONS

OVERHEAD BRACED

12 CARE AND MAINTENANCE OF TOILET PARTITIONS

In order to provide toilet partitions with the proper care and maintenance, the following instructions must be followed.

- All surfaces must be kept clean with water and a mild soap solution.
- Water left on units for extended periods will damage surface. The finish must be wiped dry following cleaning.
- In high humidity areas, the room must be properly ventilated.
- For maximum protection, periodic application of a good quality car wax will be beneficial.
- In order to provide toilet partitions with the proper care and maintenance, the following instructions must be followed.

SPECIAL NOTE

For your convenience and ease of installation, this shipment contains pre-packaged hardware for all standard toilet partition layouts.

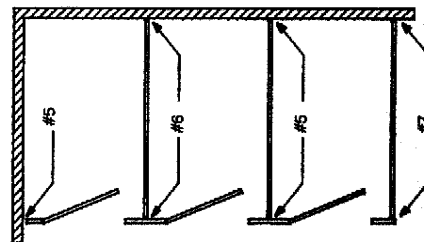
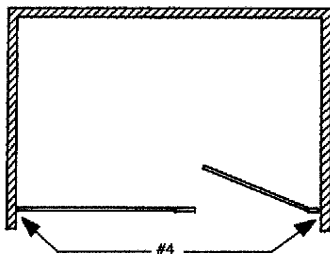
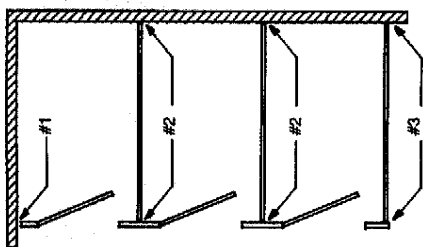
The packages are numbered as follows and should be used as shown on the diagram.

CONCORD – Headrail Braced

- #1 Wall Pilaster
- #2 Intermediate Panel/Pilaster
- #3 End Panel/Pilaster
- #4 Alcove

BAYPORT – Floor Supported or ARDMORE – Ceiling Hung

- #5 Wall Pilaster
- #6 Intermediate Panel/Pilaster
- #7 End Panel/Pilaster



Consult installation diagram for general instructions and specific location of each item.

*NOTE: For Bayport, floor supported – the floor anchors are packaged separately.

For Ardmore, ceiling hung – the necessary threaded studs, washers and lock nuts are packaged separately.