

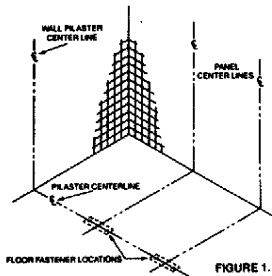
# INSTALLATION / SOLID POLYMER

## OVERHEAD BRACED

### 1 INSPECTION

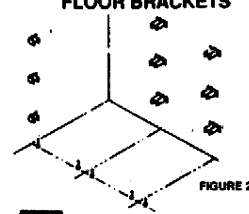
The components for this project have been custom fabricated. They are guaranteed with respect to manufacture and workmanship and were inspected at the factory. Before beginning work, the units should be inspected. If damage occurred in transit, report immediately to the freight company or other agencies that may have caused the damage.

### 2 LAYOUT



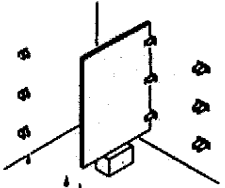
- Review the layout drawings and package lists that have accompanied this job.
- Establish and mark plaster center line from back wall.
- Establish and mark panel center lines for wall brackets.
- Establish pilaster floor fastener locations from side wall according to shop drawings. (Note floor fasteners are located 1" from edge of pilaster.)
- Mark wall bracket holes using brackets as templates.
- Drill holes for wall brackets and floor fastenings of appropriate size for particular fastening devices supplied.

### 3 WALL BRACKETS AND FLOOR BRACKETS



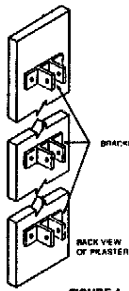
- Before proceeding, confirm that backing of walls and floor is adequate to support secure mounting of the toilet compartment units.
- Insert anchoring devices in walls and secure wall brackets.
- Insert expansion shields or other floor fastening and position 3/8" threaded rods, each secured with a flat washer and nut at floor level. See figure 5.

### 4 POSITION PANEL



- Place panel on a support, 12" above the floor.
- Set it into wall brackets, but do not fasten panel at this time.

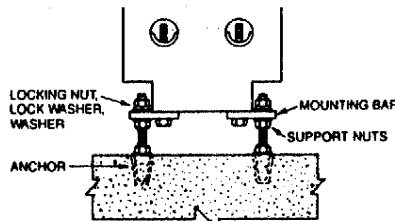
### 5 PILASTER PREPARATION



- Align stirrup in position on rear of pilasters. Refer to layout drawings.
- Fasten brackets to pilasters with steel metal screws.

### 6 INSTALL PILASTERS

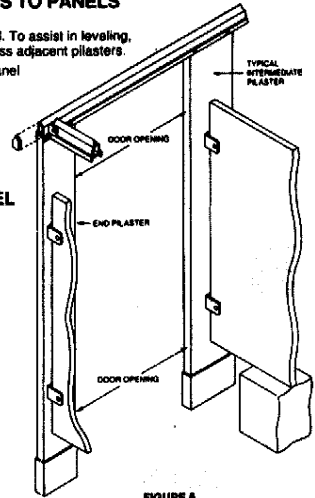
- Thread support nuts and mounting washers over threaded rods to support pilaster mounting bar.
- Position pilaster and mounting bar on threaded rods, and attach lightly with square flat washer, lockwasher and locking nut.



### 7 SECURING PILASTERS TO PANELS

Pilasters must be both plumb and level. To assist in leveling, headrail may be lightly positioned across adjacent pilasters.

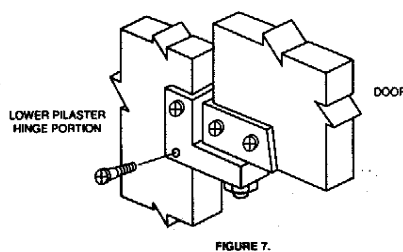
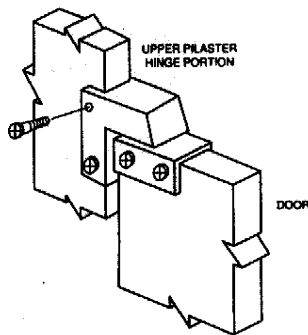
- Plumb pilaster and fasten pilaster to panel using through bolts with barrel nuts.
- Establish bottom door openings by setting pilaster mountings to desired position.



### 8 HEADRAIL AND PANEL FASTENING

- Level headrail from one compartment to the next by adjusting support nuts on the threaded rods. See figure 5.
- Tighten locking nuts on top of pilaster mounting bars.
- Establish top door openings by drilling holes through rear of headrail into pilasters, and secure with screws.
- Fasten panel to wall brackets using through bolts with barrel nuts.
- Remove panel support device.
- To insure rigidity, install headrail between end pilaster and wall by securing brackets above end panel to inner surface of headrail and on the opposing wall surface.

### 9 DOOR ASSEMBLY AND HANGING WITH VAULT HINGE



### 10 SLIDE LATCH ASSEMBLY

Install slide latch on door opposite the hinge side of door. All slide latches should be mounted at midpoint of the door, 29 inches up from the bottom of the door.

#### Inswing Doors

Mount the slide latch on to the door with four (4) 1/4 - 20 x 1 inch step bolts and four (4) 1/4 - 20 x 3/8 inch barrel nuts. Install keeper and bumper on pilaster. Be sure the keeper and bumper are set so that the slide bar of the slide latch engages the top notch of the keeper. Install keeper/bumper with two (2) 1/4 - 20 x 1-1/4 inch step bolts and two (2) 1/4 - 20 x 3/8 inch barrel nuts.

#### Outswing Doors

Mount the slide latch, slide latch spacer and bumper onto the door. Slide latch and spacer on inside face, bumper on outside face, bumper holes to align with slide holes. Use two (2) 1/4 - 20 x 1-1/4 inch step bolts at the front holes and two (2) 1/4 - 20 x 1 inch step bolts at the back holes, use four (4) 1/4 - 20 x 3/8 inch barrel nuts also for mounting. Install keeper on pilaster. Be sure the keeper is set so the slide latch bar is only 1/4 inch (.250) below the top edge of the keeper. Install keeper with two (2) 1/4 - 20 x 1-1/4 inch step bolts and two (2) 1/4 - 20 x 3/8 inch barrel nuts.

#### Emergency Access

Lift door causing latch bolt to clear keeper and open.

### 11 MISCELLANEOUS HARDWARE

- Install door bumper (and hook) in proper position.

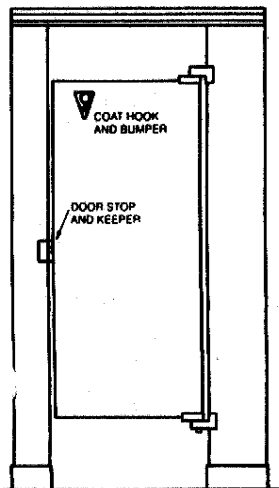


FIGURE 12.

### 12 CARE AND MAINTENANCE OF TOILET PARTITIONS

In order to provide toilet partitions with the proper care and maintenance, the following instructions must be followed.

- All surfaces must be kept clean with water and a mild soap solution.

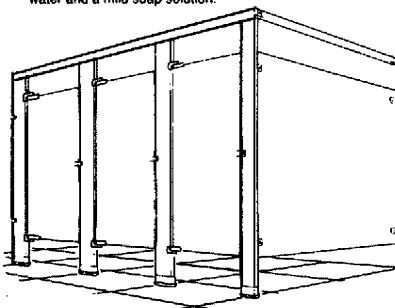


FIGURE 13.

### 13 INSTALLATION PILASTER SHOES

- Obtain appropriate length shoe faces and insert a shoe end to the pair of faces making a three sided box.
- Position this box around the pilaster.
- Slide remaining shoe end into the open side of the shoe faces.
- Attach shoe faces to pilaster using #14 x 3/4 tamper resistant screws.

**Note**  
Insertion of the screws can be facilitated by pre-drilling with a 7/32 dia. drill.

**Note**  
For pilasters against a wall attach one shoe end to the pilaster before assembly into the wall brackets.

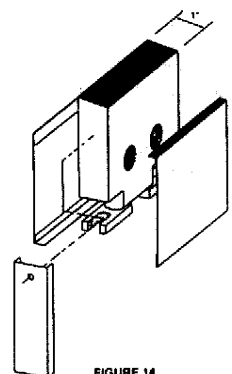


FIGURE 14.

### WARNING

Under no circumstances should these components be subjected to:  
 - Abrasive powders or pads - Water closet cleansers - Ceramic tile cleansers  
 - Solutions containing more than 1% by volume of ammonia  
 - Solutions containing acids or lye - Solutions containing enzymes

Attention to work progress during new construction or renovation is important. Other trades and cleaning services may use agents for ceramics and tiles that will damage these components.

# INSTALLATION / SOLID POLYMER

## FLOOR TO CEILING

### 1 INSPECTION

The components for this project have been custom fabricated. They are guaranteed with respect to manufacture and workmanship and were inspected at the factory. Before

beginning work, the units should be inspected. If damage occurred in transit, report immediately to the freight company or other agencies that may have caused the damage.

### 2 LAYOUT

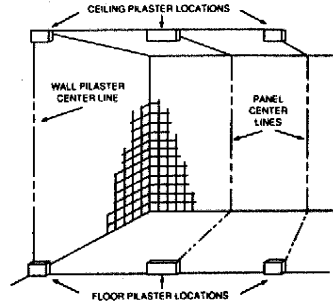


FIGURE 1.

- Review the layout drawings and package lists that have accompanied this job.
- Before proceeding, confirm that backing of wall and ceiling is adequate to support secure mounting of toilet compartment units.
- Confirm correct location and condition of threaded ceiling rods. These should project 2" to 2-1/2" below ceiling.
- Establish and mark pilaster and panel center lines in relation to ceiling rod locations.
- Mark wall bracket holes using brackets as templates.

### 3 WALL BRACKETS AND FLOOR BRACKETS

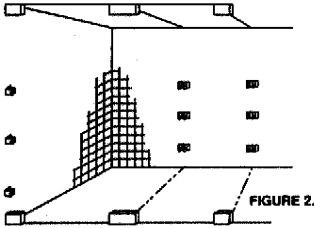


FIGURE 2.

- Drill holes for wall brackets of appropriate size for particular fastening devices supplied.
- Insert anchoring devices in walls and secure wall brackets.
- Pilaster at wall should be prepared for wall (and ceiling fastening) as required by compartment layout.

### 4 POSITION PANEL

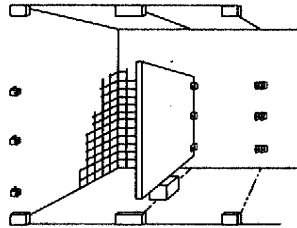


FIGURE 3.

- Place panel on a support, 12" above the floor.
- Set it into wall brackets, but do not fasten panel at this time.

### 5 PILASTER PREPARATION

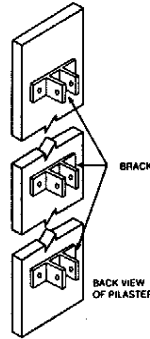


FIGURE 4.

- Align brackets in position on rear of pilasters. Refer to layout drawings.
- Fasten brackets to pilasters with steel metal screws.

### 6 INSTALL PILASTERS

- Thread support nuts and mounting washers over threaded rods to support pilaster mounting bar.
- Position pilaster and mounting bar on threaded rods, and attach lightly with square flat washer, lockwasher and locking nut.

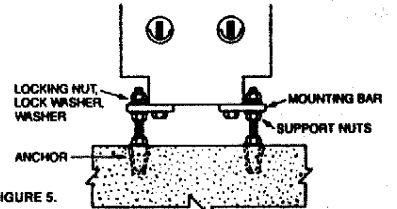


FIGURE 5.

### 7 SECURING PILASTERS AND PANELS

Pilasters must be both plumb and level. When erecting multi-compartment installations, adjustments should start with center compartments.

- Level each pilaster by setting both adjusting nuts to desired position.
- Plumb each pilaster and fasten the pilaster to panel using 1/2" sheet metal screws.
- Establish door openings by setting pilaster mounting bar to desired position on threaded rods.
- Tighten locking nuts on top of pilaster mounting bar.
- Fasten panel to wall brackets using through-bolts with barrel nuts.
- Remove panel support device.

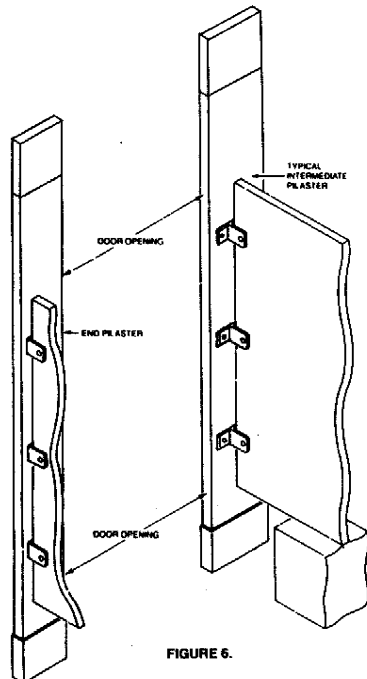


FIGURE 6.

### 8 DOOR ASSEMBLY AND HANGING WITH VAULT HINGE

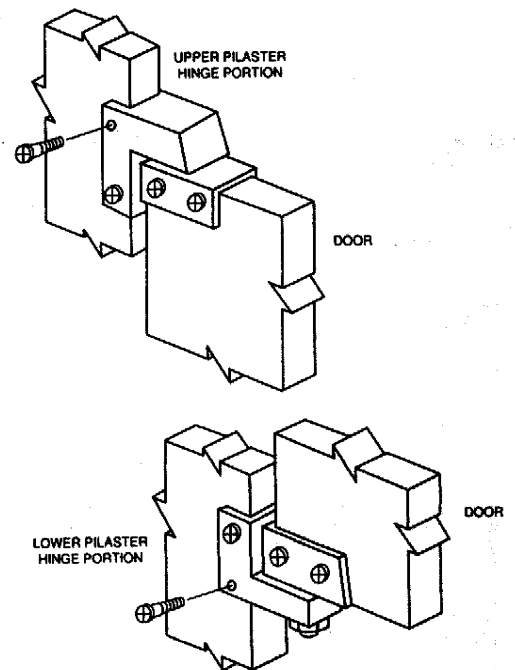


FIGURE 7.

## 9 SLIDE LATCH ASSEMBLY

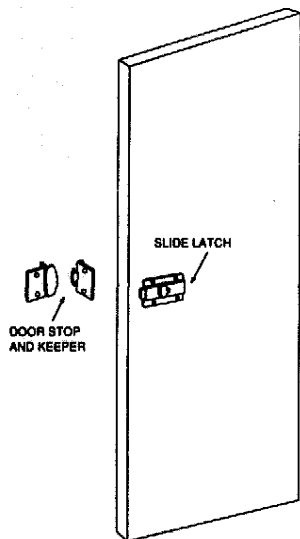


FIGURE 14.

Install slide latch on door opposite the hinge side of door. All slide latches should be mounted at midpoint of the door, 29 inches up from the bottom of the door.

### Inswing Doors

Mount the slide latch on to the door with four (4) 1/4 - 20 x 1 inch step bolts and four (4) 1/4 - 20 x 3/8 inch barrel nuts. Install keeper and bumper on pilaster. Be sure the keeper and bumper are set so that the slide bar of the slide latch engages the top notch of the keeper. Install keeper/bumper with two (2) 1/4 - 20 x 1-1/4 inch step bolts and two (2) 1/4 - 20 x 3/8 inch barrel nuts.

### Outswing Doors

Mount the slide latch, slide latch spacer and bumper onto the door. Slide latch and spacer on inside face, bumper on outside face, bumper holes to align with slide holes. Use two (2) 1/4 - 20 x 1-1/4 inch step bolts at the front holes and two (2) 1/4 - 20 x 1 inch step bolts at the back holes, use four (4) 1/4 - 20 x 3/8 inch barrel nuts also for mounting. Install keeper on pilaster. Be sure the keeper is set so the slide latch bar is only 1/4 inch (.250) below the top edge of the keeper. Install keeper with two (2) 1/4 - 20 x 1-1/4 inch step bolts and two (2) 1/4 - 20 x 3/8 inch barrel nuts.

### Emergency Access

Lift door causing latch bolt to clear keeper and open.

## 10 MISCELLANEOUS HARDWARE

- a. Install door bumper (and hook) in proper position.

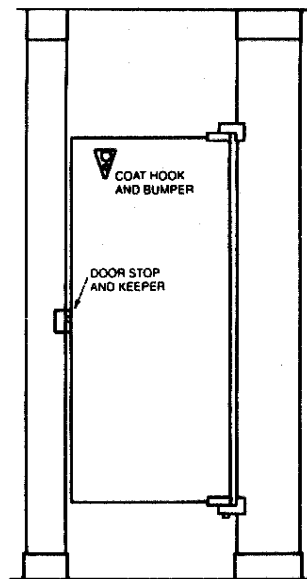


FIGURE 15.

## 11 CARE AND MAINTENANCE OF TOILET PARTITIONS

In order to provide toilet partitions with the proper care and maintenance, the following instructions must be followed.

- a. All surfaces must be kept clean with water and a mild soap solution only. The finish must be wiped dry following cleaning.

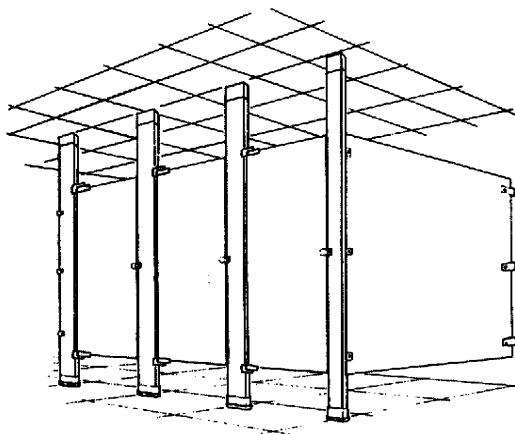


FIGURE 16.

## 12 INSTALLATION PILASTER SHOES

- a. Obtain appropriate length shoe faces and insert a shoe end to the pair of faces making a three sided box.  
 b. Position this box around the pilaster.  
 c. Slide remaining shoe end into the open side of the shoe faces.  
 d. Attach shoe faces to pilaster using #14 x 3/4 tamper resistant screws.

### Note

Insertion of the screws can be facilitated by pre-drilling with a 7/32 dia. drill.

### Note

For pilasters against a wall attach one shoe end to the pilaster before assembly into the wall brackets.

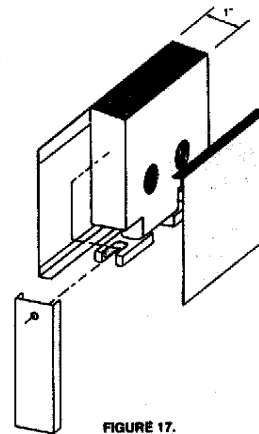


FIGURE 17.

### WARNING

Under no circumstances should these components be subjected to:

- Abrasive powders or pads
- Water closet cleansers
- Ceramic tile cleansers
- Solutions containing more than 1% by volume of ammonia
- Solutions containing acids or lye
- Solutions containing enzymes

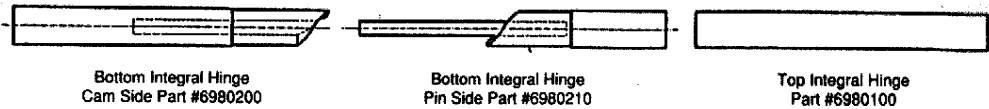
Attention to work progress during new construction or renovation is important. Other trades and cleaning services may use agents for ceramics and tiles that will damage these components.

# INSTALLATION / SOLID POLYMER

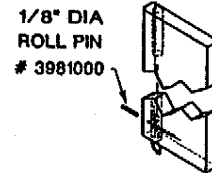
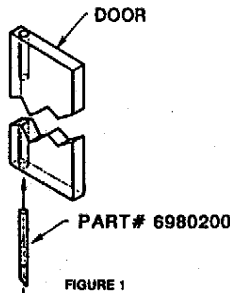
## INTEGRAL HINGE DOOR ASSEMBLY

### 1 DOOR ASSEMBLY TO PILASTER

a. Insert bottom integral hinge cam side, part #6980200, into door with high/low points parallel with door. See figure 1. Pin unit to door by drilling 1/8" dia. hole a minimum of 2-1/4" deep through edge of door and hinge. Lock unit into place with 1" long roll pin part #3981000. See figure 2.



b. Insert bottom integral hinge pin side, part #6980210, into pilaster. See figure 3. Set door over bottom hinge. Hold door at an in or out tilt. Insert top integral hinge part #6980100 into hole at top of pilaster. See figure 4. Align door and let top pin fall into hole at top of door. See figure 5. Door is hung.



c. Set door position. Closed for outswing door, 30° for inswing door. When door position is set drill 1/8" dia. hole a minimum of 2-1/4" deep through pilaster edge and hinge at bottom. Lock hinge into place with 1" long dowel pin part #3981000. See figure 6.

d. Drill 1/8" dia. hole a minimum of 2-1/4" deep through both top hinge and door, locking top pin into place using 1" long roll pin part #3981000. See figure 7.

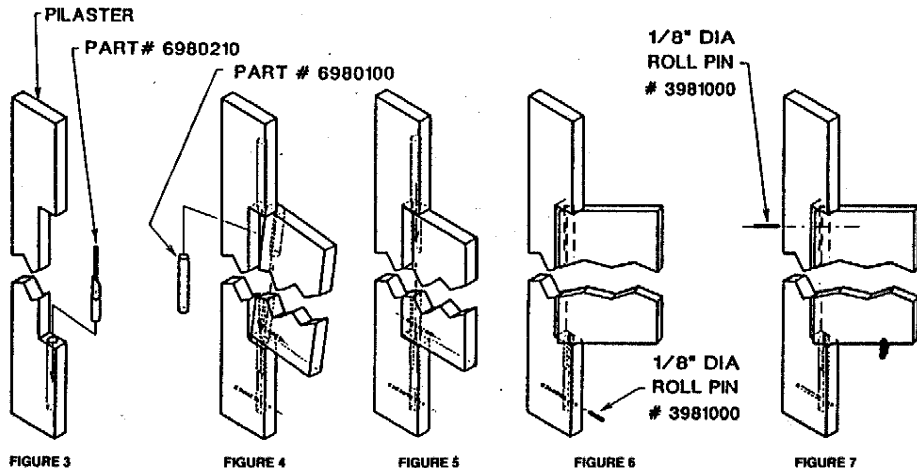


FIGURE 3

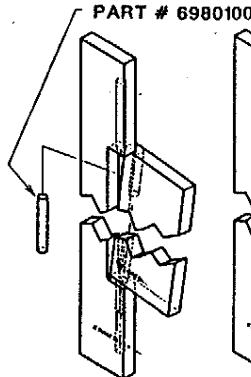


FIGURE 4

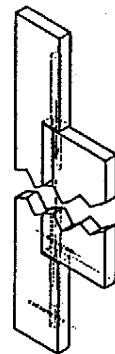


FIGURE 5

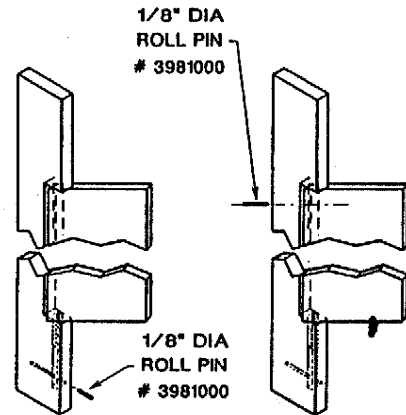


FIGURE 6

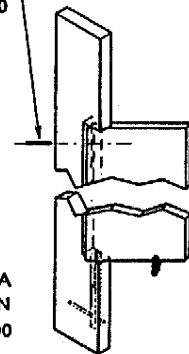


FIGURE 7

### 2 TO DISASSEMBLE DOOR

a. With a punch, drive in the roll pin part #3981000 into top of door disengaging the nylon hinge pin. See figure 1.

b. Using a sharp pointed object, force the top integral hinge part #6980100 up into the pilaster. Be sure to hold on to the door. When top integral hinge is clear of opening. Tilt door in or out and lift door from bottom integral hinge. See figure 3.

c. If bottom integral hinge requires disassembly, use same procedure. Drive the roll pin part #3981000 into the door or pilaster and remove hinge part.

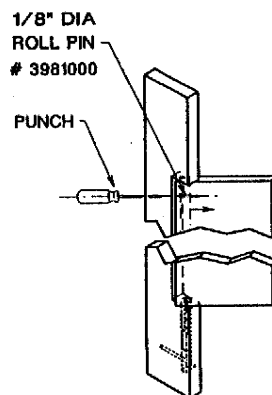


FIGURE 1

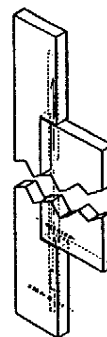


FIGURE 2

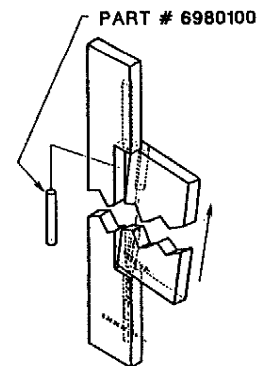


FIGURE 3