

HAND DRYERS

**M02A-UL / M02AC-UL / M02ACS-UL
M03A-UL / M03AC-UL / M03ACS-UL**



04 / 04

INSTALLATION AND OPERATING MANUAL

USA

SANIFLOW CORPORATION
2655 LeJeune Rd.,
Suite 810. Coral Gables, FL 33134.
Tel.: 305 424 24 33
Fax: 305 424 24 35
info@saniflowcorp.com
www.saniflowcorp.com

SPAIN

MEDICLINICS, S.A.
Industria, 54
E-08025BARCELONA
Tel.: +34 93 446 47 00
Fax: +34 93 348 10 39
info@mediclinics.com
www.mediclinics.com

Cod.: 82917UL

WARRANTY · WARRANTY · WARRANTY · WARRANTY

LIMITED WARRANTY

This Product covered by this limited warranty is warranted to be free from defects in material and workmanship under normal conditions for a period of ten years from the date of purchase.

The manufacturer's obligation under this Limited Warranty is applicable only where a product defect has been claimed during the warranty period. The manufacturer's obligation under this Limited Warranty is limited to either (I) replacement of the Product; or (II) replacement of defective parts. To claim under this Limited Warranty, contact one of Mediclinics, S.A. official dealers.

Mediclincs, S.A. shall not be responsible for any other damage, including, but not limited to, any defects or damage caused by or resulting from: (a) alterations to the product; (b) use of the product in an incorrect manner or for an unreasonable use; (c) failure to use the product in a safe and reasonable manner, and (d) repair of the product by unauthorized personnel.

LIMITATION ON LIABILITY

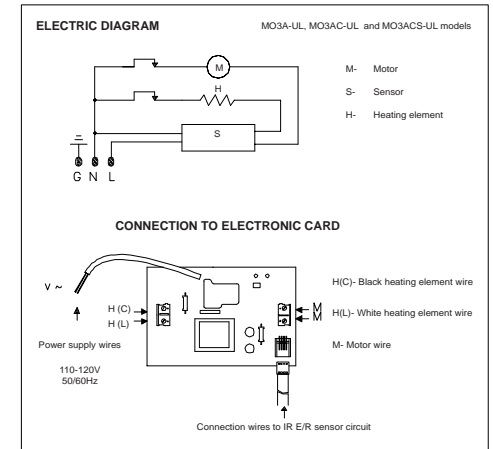
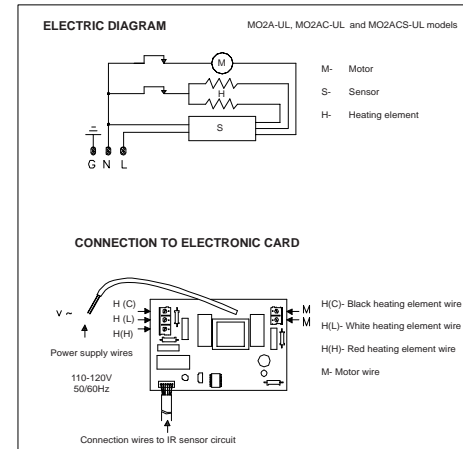
THE WARRANTY SET FORTH ABOVE IS EXCLUSIVE AND NO OTHER WARRANTY, WHETHER WRITTEN OR ORAL, IS EXPRESSED OR IMPLIED. MEDICLINICS, S.A. SPECIFICALLY DISCLAIMS THE IMPLIED WARRANTIES OF MERCHANTABILITY AND FITNESS FOR A PARTICULAR PURPOSE.

IN NO EVENT SHALL MEDICLINICS, S.A. BE LIABLE FOR INDIRECT, SPECIAL, INCIDENTAL OR CONSEQUENTIAL DAMAGES (INCLUDING, BUT NOT LIMITED TO, LOSS OF PROFITS, LOSS OF CUSTOMERS, LOSS OF USE, DAMAGE TO GOODWILL OR TO BUSINESS REPUTATION) OR FOR ANY OTHER LOSSES FROM ANY CAUSE, INCLUDING DAMAGES CAUSED BY THE PRODUCT, WHETHER OR NOT MEDICLINICS, S.A. HAS RECEIVED NOTICE OF THE POSSIBILITY OR CERTAINTY OF SUCH DAMAGES OR LOSSES.

SOME STATES DO NOT ALLOW THE EXCLUSION OF INCIDENTAL OR CONSEQUENTIAL DAMAGES, SO THE ABOVE LIMITATION OR EXCLUSION MAY NOT APPLY TO YOU. THIS WARRANTY GIVES YOU SPECIFIC LEGAL RIGHTS, AND YOU MAY ALSO HAVE OTHER RIGHTS WHICH VARY FROM STATE TO STATE.

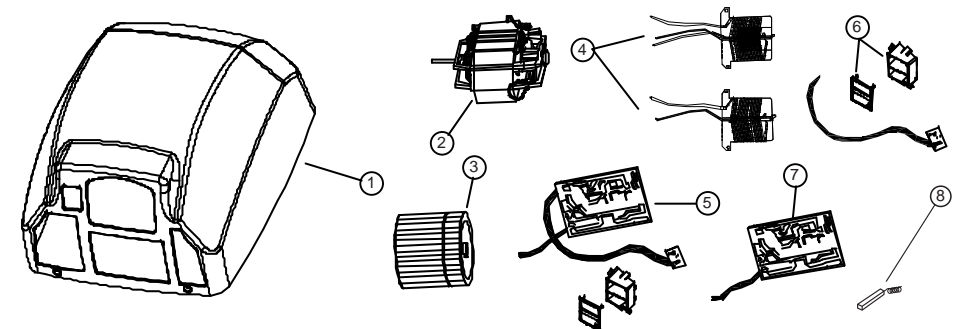
GARANTIA · WARRANTY · GARANTIE · GARANZIA

WIRING DIAGRAM



BREAKDOWN LIST OF BASIC PARTS

		MO2-UL & MO3-UL	MO2-UL	MO3-UL
White painted steel cover	1	RC82010		
Satin finish stainless steel cover	1	RC82020		
Bright finish stainless steel cover	1	RC82030		
Motor	2	RC82748UL		
Fan wheel	3	RC82777		
Heating element	4		RC82770UL	RC82720UL
Electronic circuit set	5		RC82600UL	RC82610UL
IR sensor circuit	6		RC82601UL	
Main electronic card	7		RC82602UL	
Coal brushes set	8	RC95750-AMT RC95750-STC		

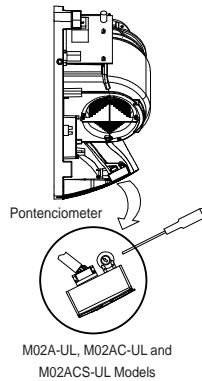


METHOD OF USE

M02A-UL and M03A-UL families of hand dryers operate by hand detection. To achieve optimum drying of hands, it is advisable to rinse them well first, eliminating any soap left on them. Then, once the dryer is working, place the hands at the distance of approximately 2 3/8" - 2 3/4" (6 -7 cm) from the air outlet and rub the hands together. The detection of hands is based on the emission/reception of an IR light beam.

M02A-UL / M02AC-UL / M02ACS-UL models

- The detection distance is approximately 4 3/4" - 5 7/8" (12 - 15 cm), but other levels may be set by adjusting the potentiometer which is located in the IR sensors circuit.
- After removing the hands the appliance stops in 2 - 3 seconds.
- The heating element turns off 0.5 seconds before the motor.
- The appliance includes a protection system against continuous improper use (it stops after 120 seconds of continuous use).
- These models of hand dryer has an automatic temperature control system. It supplies the adequate heating power from 4 possible levels according to the value of room temperature.
- These models detect the presence of fixed objects (as fixed targets) and in this case it stops automatically after 4 - 5 seconds of starting operation.



PREVENTATIVE MAINTENANCE AND CLEANING

Correct cleaning of the machine will lengthen its working life considerably. It is recommended to carry out the cleaning process at least once a year.

CLEANING METHOD

- Disconnect the dryer from the mains supply.
- Remove the 2 lower holding screws from the cover using the special key.
- Remove the cover and place it carefully on a cloth avoiding scratches and scrapes.
- Clean the dust from the surface and the parts of the main card of the electronic circuit. To do this, use a soft brush.
- Use the same brush to clean the motor surface, the entrance inlet of the volute, the air outlet and the air inlet grille.
- With a soft cloth, clean the surface of the IR sensor closure screen and remove any dust covering on its surface.
- Open the volute removing the safety screw and folding the closure clips and clean the turbine and heating element of dust. Close the volute again, putting in the closure clips and tightening the safety screw.
- Clean the dust from the perimeter of the base, especially the upper section.
- Assemble the cover, place the lower screws and connect the dryer once again.
- Start up the machine repeatedly in order to expel remains of dust after the cleaning process.

Do not damage or force any part during the entire process.
All cleaning procedures of the machine must be carried out by qualified technical staff.

MODEL	M02A-UL	M02AC-UL	M02ACS-UL	M03A-UL	M03AC-UL	M03ACS-UL
Input voltage	110 - 120 V 50/60 Hz					
Consumption	2.1 A ÷ 18.75 A					
Rated power	0.34 - 3 Hp (250-2,250 W)					
Weight	10.7 lb (4.85 Kg)	9.4 lb (4.25 Kg)		10.7 lb (4.85 Kg)		9.4 lb (4.25 Kg)
MOTOR: Power Type SCROLL-FAN	1/3 Hp (250 W) Universal Fireproof					
HEATING ELEMENT: Power	0 - 2.7 Hp (0 - 2000 W)					
TIMER: Type	IR sensor & µ-processor					
DIMENSIONS: Height Width Depth	12.6" (320 mm) 10.7" (272 mm) 6.5" (164 mm)	12.8" (325 mm) 10.7" (272 mm) 6.5" (164 mm)	12.6" (320 mm) 10.7" (272 mm) 6.5" (164 mm)	12.6" (320 mm) 10.7" (272 mm) 6.5" (164 mm)	12.8" (325 mm) 10.7" (272 mm) 6.5" (164 mm)	12.8" (325 mm) 10.7" (272 mm) 6.5" (164 mm)
	Steel 5/64" (1.9 mm)	Stainless Steel 1/6" (1.5mm)	Steel 5/64" (1.9 mm)	Steel 5/64" (1.9 mm)	Stainless Steel 1/6" (1.5mm)	Stainless Steel 1/6" (1.5mm)
	White Epoxy enameled	Chrome bright	Chrome satin	White Epoxy enameled	Chrome bright	Chrome satin
Certified in accordance with:	UL 499					
Air flow :	318 CFM (9,005/min)					
Air velocity	5,195 LFM (95 Km/h)					
Air temperature	120°F (50°C)					