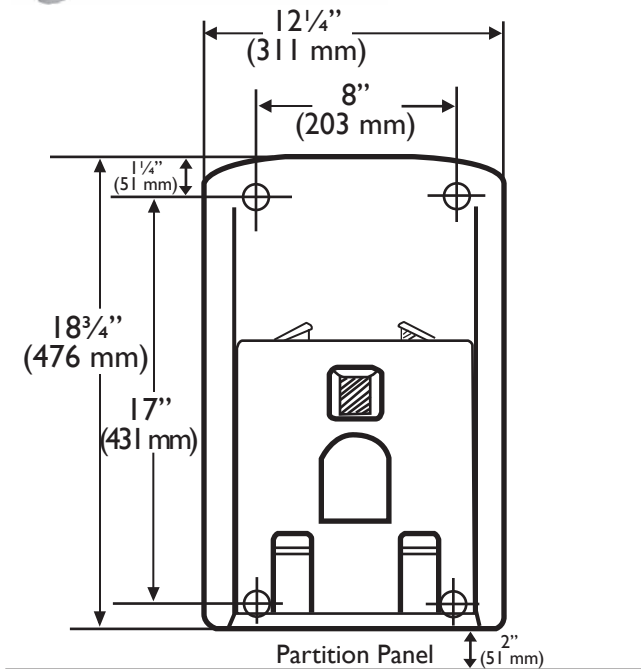




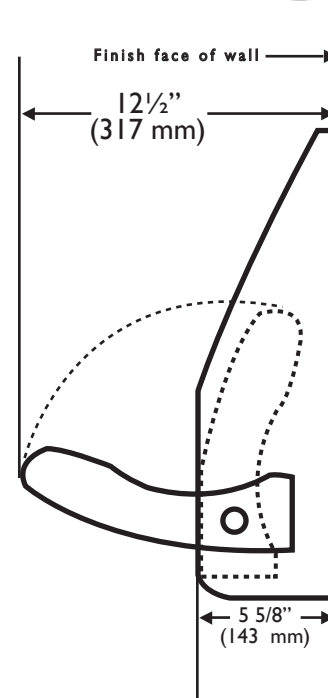
6982 S Quentin St
Centennial, CO 80112

CHILD PROTECTION SEAT

KB102-00 CREAM
KB102-01 GREY



Mount 2" (51 mm) from bottom of door
or 14" (356 mm) from floor



ADA Compliance
(when properly installed)
4.4.1 Max. Protruding Objects
4.2.5 Forward Reach
4.2.6 Side Reach
4.2.7.4 Operation

Continued...

MATERIALS:

FDA approved blow-molded high-density polyethylene with Microban® antimicrobial. Steel pivot rod in aluminum tube hinge mechanism. Textured seat surface with nylon safety straps that extend over child's shoulders and between legs for security.

OPERATION:

Designed to mount on the wall of a restroom stall or a dressing room. Closed unit folds to less than 6" (143 mm), and requires less than 2 sq. ft (600 sq. cm) of wall space. High-density polyethylene is easy to clean and resists fungal and bacterial growth. Can withstand static loads of 50 pounds (22.7 kilograms).

Warning: *To ensure that the unit supports the intended loads, seat must be properly installed according to the manufacturer's instructions.*

INSTALLATION:

To ensure proper installation and compliance with building codes, it is recommended that a qualified person or carpenter perform the installation of the unit. The Child Protection Seat must be properly installed onto wall or partition of restroom or fitting room that is capable of supporting significant weight and can accommodate the supplied installation hardware (or other suitable hardware, not included, if unit is to be installed on another type of wall such as a cinderblock or permanent wall).

Drilling holes and mounting the station:

1. Remove the unit from the shipping container and check for any freight damage. Identify the best location for installing the Child Protection Seat. Hold the unit in place, open the seat, and make sure that there is adequate operating clearance. Use the seat as a template for locating the four mounting holes onto the mounting surface. Seat bottom should be 2" (51 mm) from bottom of wall/partition or 14" (356 mm) from the floor, whichever is higher.
2. The Child Protection Seat has four mounting holes provided in the back wall of the unit, which are positioned 8" (203 mm) apart horizontally and 17" (51 mm) apart vertically. Hardware included with unit is intended for installation of seat to a restroom or fitting room partition. If installing onto another wall type separate hardware will be required (not included).
3. Drill through partition using 3/8" (10 mm) drill bit.
4. Insert the four threaded plugs with head holes (supplied) from the outside of the partition.
5. Mount the Child Protection Seat with the four 1/4" (6 mm) screws and washers (supplied).
6. Place the label/decals on the outside of stall or fitting room door.

SPECIFICATION:

Child Protection Seat body shall be durable, high-density polyethylene with Microban® antimicrobial. Design of unit shall be surface-mounted. Seat shall be secured to back plate with a steel pivot rod concealed in an aluminum tube hinge rod mechanism. Unit shall have Microban® antimicrobial embedded into plastic material. Seat shall have nylon safety straps. Unit shall support static loads of up to 50 lbs (22.7 kg) when properly installed. Unit shall be backed by a 5-year manufacturer's limited warranty on materials and workmanship and a 5-year replacement warranty against vandalism. Unit shall be manufactured in the U.S.A.

The illustrations and descriptions herein are applicable to production as of the date of this Technical Data Sheet.

The manufacturer reserves the right to, and does from time to time, make changes and improvements in designs and dimensions without notice.

