

- Specify color \_\_\_\_\_  
(See color chart in back of catalog)
- Model 2443 — Recessed
- Model 2443-10 — Semi-Recessed  
(recesses 2-1/8"; projects 1-7/8")
- Model 2443-11 — Surface-Mounted  
(projects 4")
- Accent Series — Color Laminate

### Product Materials

**CABINET:** 22 gauge stainless steel with exposed surfaces in architectural satin finish. Welded construction with seamless corners and burr-free edges.

**DOOR:** 5/16" thick solid laminate, made of colored Melamine bonded under high pressure to a phenolic core. All exposed edges are machined smooth to a uniform dark finish. Attached to cabinet with full length, heavy duty stainless steel piano hinge. Equipped with a latch. Tumbler lock optional.

**TOWEL DISPENSER:** 22 gauge stainless steel. Rolled edge on dispenser opening.

### Capacity

Towel Dispenser — 400 multi-fold or 300 C-fold paper towels.

### Operation

Towel dispenser holds multi-fold or C-fold towels without use of special adaptor.

### Installation

Verify all rough-in dimensions prior to installation. Recessed unit requires rough wall opening 11-13/32"W x 15-3/4"H x 4"D (Semi-recessed unit only 2-1/8" deep). Secure to framing with mounting screws (included) at holes provided. Shim at screw points as required.

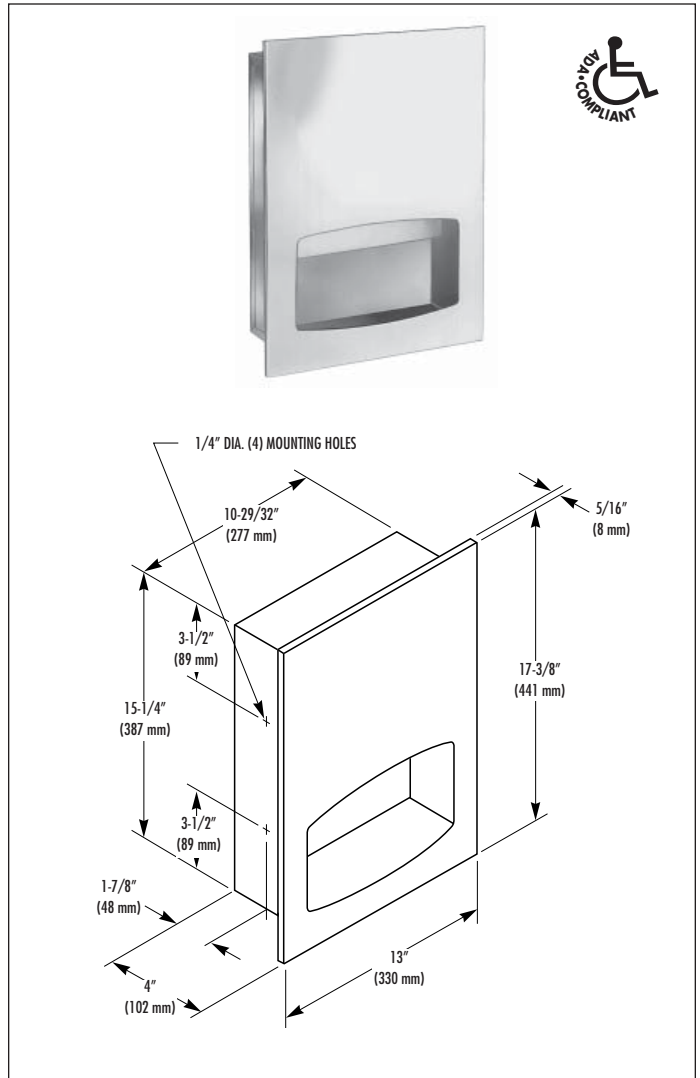
### Guide Specification

Recessed towel dispenser shall be fabricated of heavy gauge stainless steel. Cabinet door of 5/16" thick solid laminate with full length piano hinge and secured by a latch. Towel dispenser capacity 400 multi-fold or 300-C fold towels.

**Overall dimensions: 13"W x 17-3/8"H x 4-1/8"D.**

### ADA Compliant

- Consult local and national accessibility codes for proper installation guidelines.
- Conformity and compliance to local and national codes is the responsibility of the installer.



### Optional Features

Feature	Suffix
<input type="checkbox"/> Tumbler locks	-15

Washroom Accessories  
Document No. 8165

Distributed by  
**www.Ameraproducts.com**  
Phone: (800) 608-6568  
Fax: (409) 840-5545  
info@ameraproducts.com