



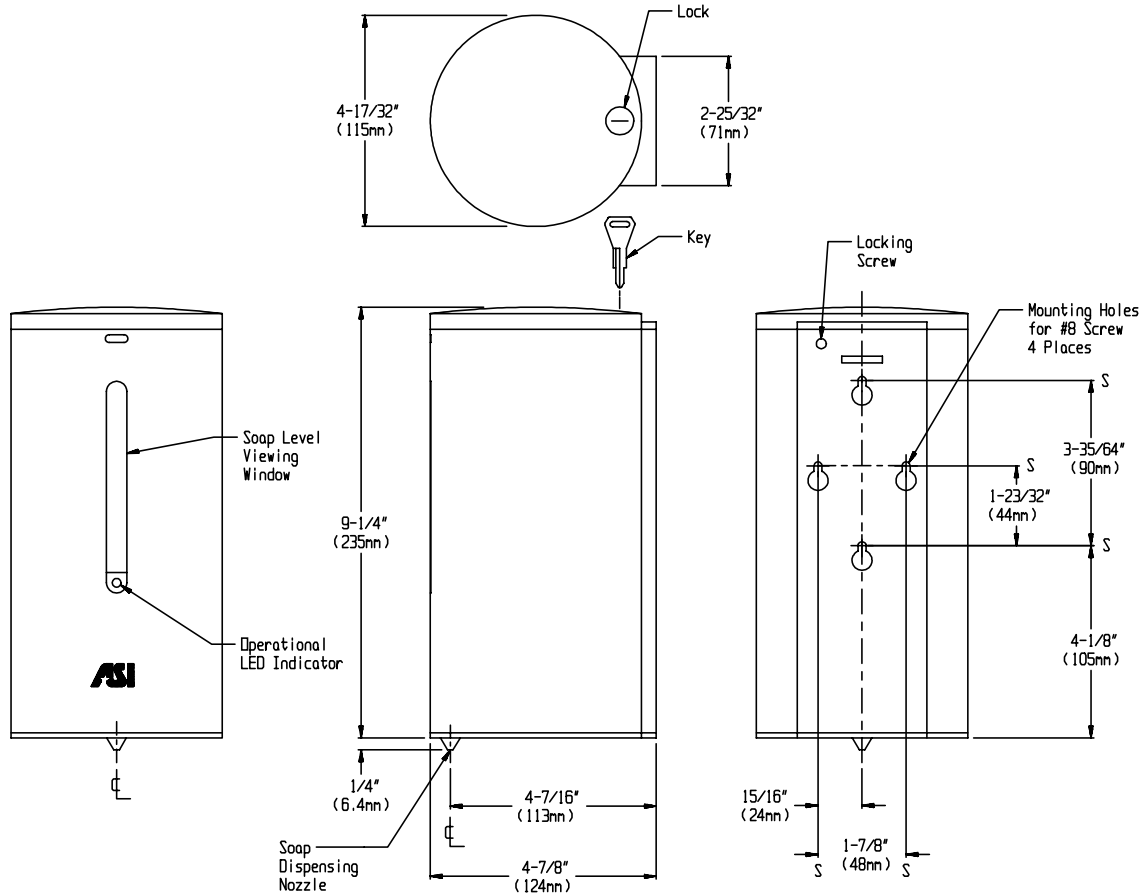
AMERICAN SPECIALTIES, INC.

MODEL No: 0360

ISSUED: 7-05

REVISED: 10-05

SURFACE MOUNTED STAINLESS STEEL AUTOMATIC SOAP DISPENSER



**SPECIFICATION**

Surface Mounted Stainless Steel Automatic Liquid Soap Dispenser shall hold and dispense up to 1000ml (34 oz) of liquid and lotion soaps, synthetic detergents and antibacterial soaps containing PCMX and/or Triclosan with a viscosity range of between 1 and 3500 mPa·s or cP (MilliPascal-sec or Centipoise). Dispenser body shall be fabricated of alloy 18-8 stainless steel, type 304 and black ABS. All exposed stainless steel surfaces shall be N° 4 satin finish. Dispenser shall be powered by six (6) AA-size (1.5 V) batteries (not supplied) and shall operate automatically from IR sensor that shall activate soap dispensing when hands are placed in sensor zone. Sensor detection range shall be self adjusting. Dispenser shall pump for 1 to 5 seconds during each activation as preset by owner. A tamper resistant soap level viewing window shall be provided. Unit shall have a removable access lid on top of unit which is opened with special key provided.

**Surface Mounted Stainless Steel Automatic Liquid Soap Dispenser shall be Model N° 0360 of American Specialties, Inc.,**

**INSTALLATION**

Unit is surface mounted to wall or partition by means two (2) N°8 screws. Unit is secured by means of a third screw concealed inside locking removable lid. Recommended installation for general utility is 42" (1067 mm) to 46" (1168mm) AFF and 10" (254mm) minimum above wash basin or countertop. A mounting template is provided.

**OPERATION**

Soap is automatically dispensed when hands are placed in sensor zone. Pumping duration is entered by owner at setup. Unit is reloaded by unlocking and removing lid at top with special key (supplied) and removing and refilling internal soap container. Soap dispenser will continue to feed properly until empty. Tank supply is replenished manually on cycle determined by maintenance needs. A complete instruction sheet is provided with each unit.

Accessory Specialties

AMERICAN DISPENSER

Desert Ray Products

WATROUS .INC.