

SECURITY RECESSED SEAT

- Recess Mounted
- Stores in Wall

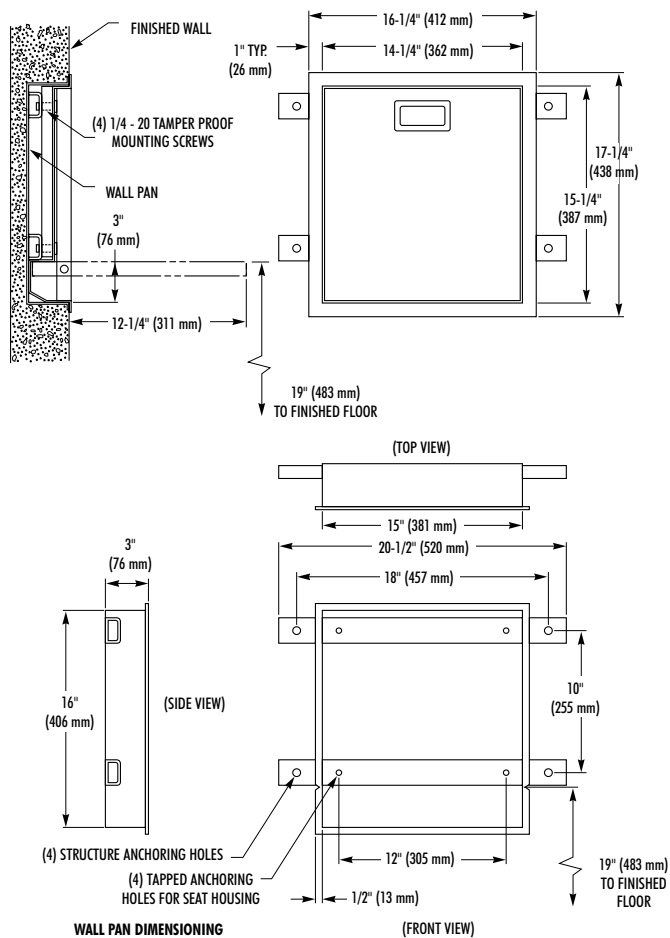
Bradex™



CONSTRUCTION:

Housing is fabricated of type 304 (18-8), 14 gauge stainless steel, with two heavy anchoring channels welded to back. Seat is fabricated of type 304 (18-8) 16 gauge stainless steel with heavy reinforcing. Welds ground smooth and exterior surfaces polished to No. 4 satin finish. Hinge is solid 3/8" dia. Type 304 stainless steel rod.

Seat opens out from wall and supports up to 750 lbs. Folds up out of the way to store in wall when not in use.



Document No. 9305

This information is subject to change without formal notice.
MD 3239-1198