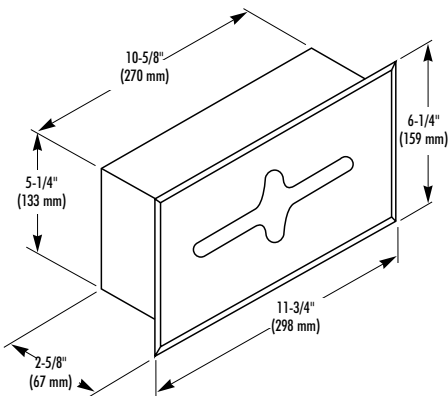


FACIAL TISSUE DISPENSER

- Accent Series – Color Laminate
- Specify color _____
(See color chart in back of catalog)
- Recess Mounted



CONSTRUCTION:

- **FACEPLATE** of 5/16" thick solid laminate, made of colored Melamine bonded under high pressure to a phenolic core. All exposed edges are machined smooth to a uniform dark finish. In-wall cabinet fabricated of heavy gauge galvanized steel.

CAPACITY:

One standard box of 200 facial tissues.

OPERATION:

Latch permits easy and quick removal of faceplate for servicing.

INSTALLATION:

Requires rough wall opening 10-3/4"W x 5-1/8"H x 2-5/8"D. Secure to framing with mounting screws (included) at holes provided. Shim at screw points as required.

OPTIONAL FEATURES:

Feature	Suffix
<input type="checkbox"/> Large capacity-300 tissues (requires 4" wall depth)	-36

GUIDE SPECIFICATION:

Recessed Facial Tissue Dispenser shall be fabricated of 5/16" thick solid laminate secured by a latch. In-wall cabinet of cold rolled, corrosion resistant galvanized steel, holds standard 200 tissues pack.

Overall dimensions: 11-3/4"W x 6-1/4"H x 2-5/8"D.

Recessed Facial Tissue Dispenser shall be Bradley Model 9878 - _____ (Specify Bradley color number).