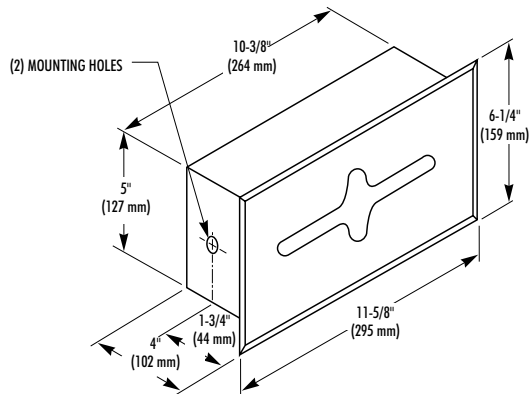
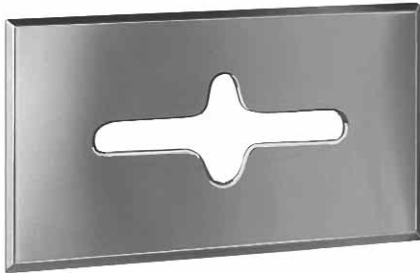


FACIAL TISSUE DISPENSER

- Recess Mounted
- Large Capacity

Bradex™



CONSTRUCTION:

- **FACEPLATE** fabricated of type 304 (18-8), 22 gauge stainless steel with exposed surfaces in architectural satin finish.
- **CONTAINER** fabricated of heavy gauge galvanized steel.

CAPACITY:

One box of 300 facial tissues.

OPERATION:

Friction catches permit easy and quick removal of faceplate for servicing.

INSTALLATION:

Requires rough wall opening 10-3/4"W x 5-1/8"H x 4"D. Secure to framing with mounting screws (included) at holes provided. Shim at screw points as required.

GUIDE SPECIFICATION:

Recessed facial tissue dispenser shall be fabricated of type 304 (18-8), 22 gauge stainless steel with exposed surfaces in satin finish. In-wall cabinet of cold rolled, corrosion resistant galvanized steel holds extra large 300 tissue pack.

Overall dimensions: 11-5/8"W x 6-1/4"H x 4"D.

Recessed Facial Tissue Dispenser shall be Bradley Model 987-36.