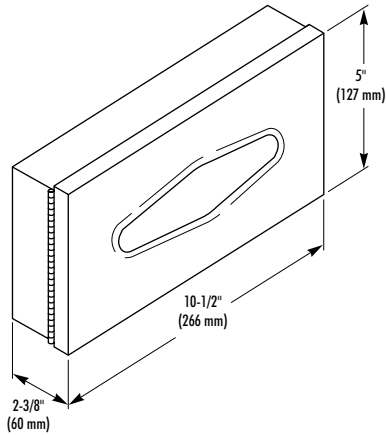


## FACIAL TISSUE DISPENSER

- Surface Mounted

**Bradex™**



### CONSTRUCTION:

- UNIT fabricated of type 304 (18-8), 22 gauge stainless steel with exposed surfaces in architectural satin finish.

### CAPACITY:

One box of 200 facial tissues.

### OPERATION:

Hinged faceplate with integral catch permits easy and quick removal of faceplate for servicing.

### INSTALLATION:

Secure to wall with mounting screws (included) at holes provided.

### GUIDE SPECIFICATION:

Surface mounted facial tissue dispenser fabricated of type 304 (18-8), 22 gauge stainless steel in satin finish. Holds standard 200 tissue pack.

Overall dimensions: 10-1/2"W x 5"H x 2-3/8"D.

**Surface Mounted Facial Tissue Dispenser shall be Bradley Model 987-11.**