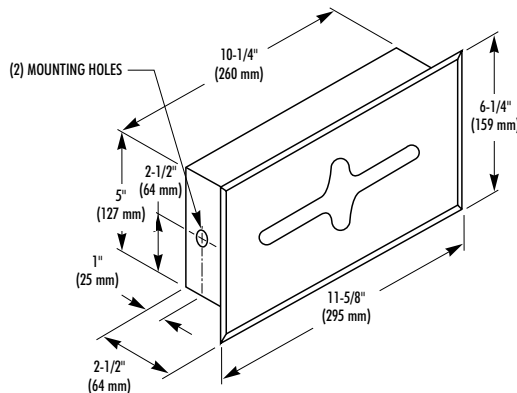
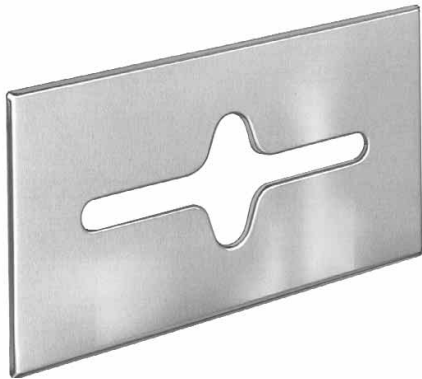


MODEL 987
987-78

FACIAL TISSUE DISPENSER

- Recess Mounted
- Model 987 – Satin Stainless Steel **Bradlex™**
- Model 987-78 – Polished Stainless Steel



CONSTRUCTION:

- **FACEPLATE** fabricated of type 304 (18-8), 22 gauge stainless steel with exposed surfaces in architectural satin finish. Model 987-78 has polished stainless steel finish.
- **CONTAINER** fabricated of heavy gauge galvanized steel.

CAPACITY:

One box of 200 facial tissues.

OPERATION:

Friction catches permit easy and quick removal of faceplate for servicing.

INSTALLATION:

Requires rough wall opening 10-3/4"W x 5-1/8"H x 2-5/8"D. Secure to framing with mounting screws (included) at holes provided. Shim at screw points as required.

GUIDE SPECIFICATION:

Recessed facial tissue dispenser shall be fabricated of type 304 (18-8), 22 gauge stainless steel with exposed surfaces in satin finish. In-wall cabinet of cold rolled, corrosion resistant galvanized steel holds standard 200 tissue pack.

Overall dimensions: 11-5/8"W x 6-1/4"H x 2-5/8"D.

Recessed Facial Tissue Dispenser shall be Bradley Model 987 (987-78).