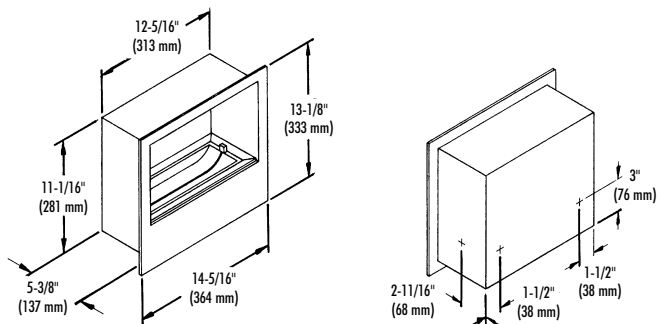


ASH URN

- Accent Series — Color Laminate
- Specify color _____
(See color chart in back of catalog)
- Recess Mounted



CONSTRUCTION:

- **FACEPLATE** fabricated of 5/16" thick solid laminate made of colored Melamine bonded under high pressure to a phenolic core. All exposed edges are machined smooth to a uniform dark finish.
- **CABINET** fabricated of type 304 (18-8), 20 gauge stainless steel with exposed surfaces in architectural satin finish.
- **SPLIT BOWL ASHTRAY** of heavy die cast aluminum.
- **INNER RECEPTACLE** of drawn, one piece seamless aluminum construction.

OPERATION:

Split bowl opens to empty ashes into concealed waste receptacle. Top lifts out to access receptacle which is removable for servicing.

INSTALLATION:

Requires rough wall opening 12-3/4"W x 11-1/2"H x 5-3/8"D. Secure to framing with mounting screws (included) at holes provided. Shim at screw points as required.

GUIDE SPECIFICATION:

Recessed Ash Urn shall be fabricated of type 304 stainless steel. Faceplate of 5/16" thick solid laminate. Removable top ring and plunger operated split bowls of cast aluminum. Drawn aluminum removable ash receptacle.

Overall dimensions: 14-5/16"W x 13-1/8"H x 5-3/8"D.

Recessed Ash Urn shall be Bradley Model 9748 - _____ (Specify Bradley color number).