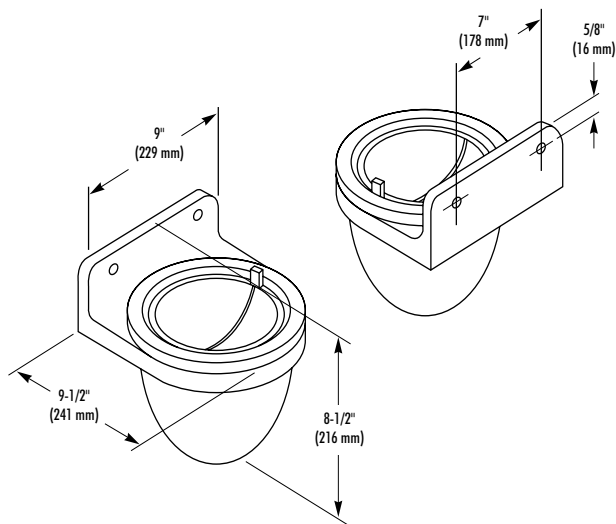


## ASH URN

- Bowl Type
- Model 971 – Satin Stainless Steel **Bradex™**



### CONSTRUCTION:

- **Wall Urn** – Fabricated of type 304 (18-8), 22 gauge stainless steel with exposed surfaces in architectural satin finish, drawn construction.
- **FLIP TOP ASH TRAY** fabricated of type 304 (18-8), 22 gauge stainless steel with exposed surfaces in architectural satin finish. Drawn construction sits on top.
- **INNER ASH RECEPTACLE** of drawn, one piece seamless aluminum construction.

### MOUNTING BRACKET:

- of heavy die cast aluminum.

### OPERATION:

Split bowl opens to empty ashes into concealed waste receptacle. Top lifts to access receptacle which is removable for servicing.

### INSTALLATION:

Secure to wall with mounting screws (included) at holes provided. (Adhesive back plate also available-see below.)

### GUIDE SPECIFICATION:

Bowl type ash urn shall be fabricated of type 304, 22 gauge satin finish stainless steel with plunger operated split bowls and a removable aluminum ash receptacle.

**Surface Mounted Ash Urn shall be Bradley Model 971.**