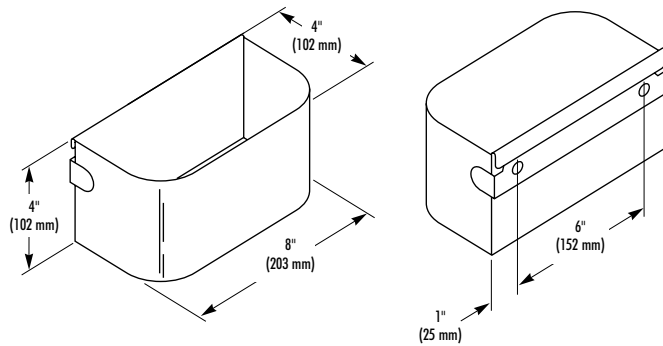
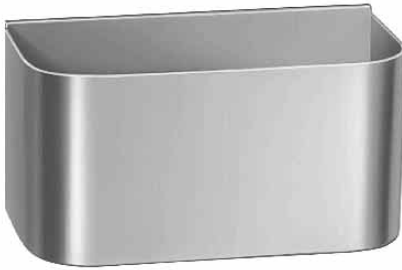


ASH URN



MODEL 970

CONSTRUCTION:

- **CONTAINER** fabricated of type 304 (18-8), 22 gauge stainless steel with exposed surfaces in architectural satin finish. All seams sealed to prevent leakage of extinguishing material. Rounded front corners and burr-free edges.
- **WALL BRACKET** fabricated of type 304 (18-8), 16 gauge stainless steel with exposed surfaces in architectural satin finish.

INSTALLATION:

Secure separate mounting bracket to wall with mounting screws (included) at holes provided. Attach ash urn.

GUIDE SPECIFICATION:

Surface mounted ash urn shall be fabricated of type 304 (18-8), 22 gauge stainless steel with exposed surfaces in architectural satin finish. Mounting to wall with separate 16 gauge mounting bracket.

Overall dimensions: 8"W x 4"H x 4"D.

Ash Urn shall be Bradley Model 970.