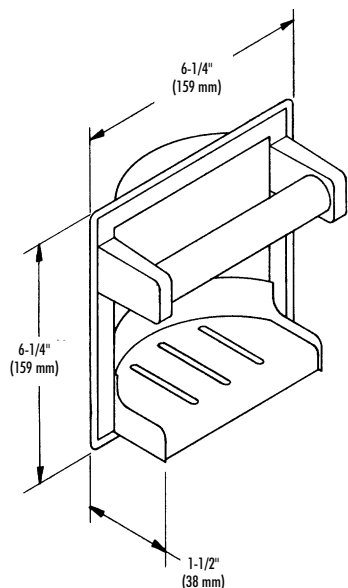


SOAP DISH

- Recess Mounted
- Stainless Steel
- Model 9362 – Bright Polish
- Model 9363 – Satin Stainless Steel **Bradex™**



CONSTRUCTION:

- **HOUSING** fabricated of heavy gauge stainless steel.
- **PROJECTING PARTS** are chrome plated die cast zinc alloy.
- **SOAP TRAY** fabricated of heavy clear plastic.

OPERATION:

Soap tray is removable for cleaning.

INSTALLATION:

Requires rough wall opening 5-1/4"W x 5-1/4"H x 2"D. Secure to framing with screws (included) at holes provided.

OPTIONAL FEATURES:

Feature	Suffix
<input type="checkbox"/> Fixed lip in lieu of plastic tray	-54
<input type="checkbox"/> Back clamp for gypsum wallboard mounting	-55
<input type="checkbox"/> Mortar lug for masonry wall mounting	-57

GUIDE SPECIFICATION:

Recessed soap dish shall be heavy gauge stainless steel with removable soap tray.

Overall dimensions: 6-1/4"W x 6-1/4"H x 2"D.

Recessed Soap Dish shall be Bradley Model 9362 (9363).