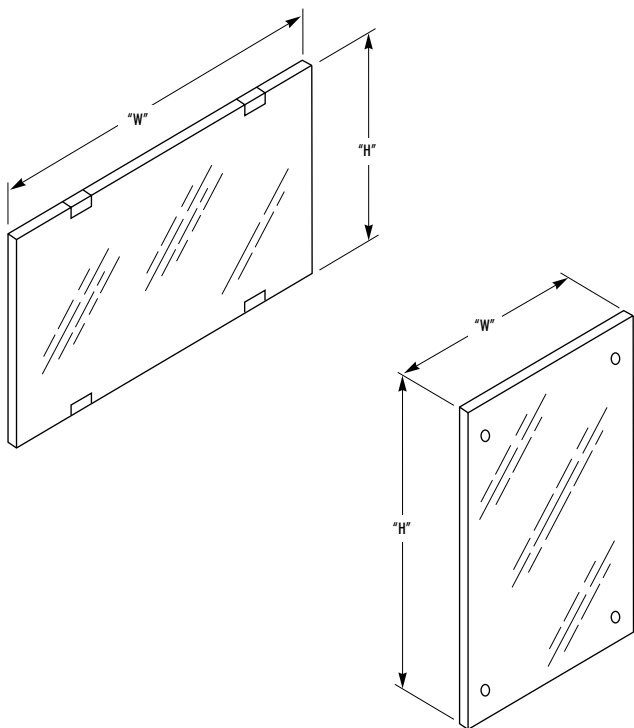
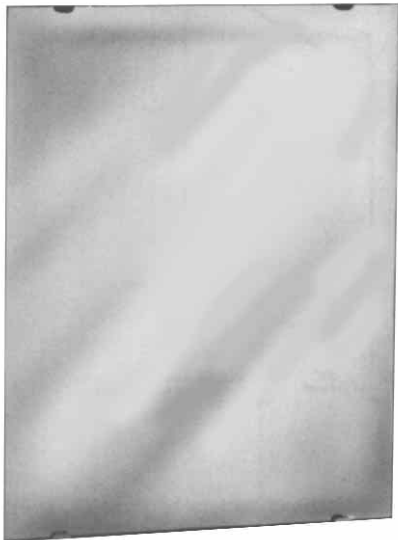


**MODEL 747
7471**

FRAMELESS MIRROR

- Model 747 – Clip Fasteners
- Model 7471 – Rosette Fasteners



CONSTRUCTION:

- **MIRROR** of first quality 1/4" float glass, triple silver plated with electro-copper plated layer and thermosetting infrared cured paint backing. Meets federal specification DD-M-00411b against silver spoilage and guaranteed for 15 years. Edges ground and polished smooth.

INSTALLATION:

- **MODEL 747:** Secure mounting clips (metal) to wall with screws (included), then engage mirror into clips.
- **MODEL 7471:** Secure mirror to wall with screws (included), then fasten rosettes (plastic) to mirror.

GUIDE SPECIFICATION:

Frameless mirror shall be of first quality 1/4" float glass, triple-silvered, electro-copper plated with baked enamel backing, guaranteed for 15 years against silver spoilage. Edges ground and polished smooth.

Frameless Mirror shall be Bradley Model 747 (7471)- _____ " W x _____ " H (specify width and height).

Bradex™ Models				
Width (Inches)	Height (Inches)	Overall Dimension (Inches)	Overall Dimension (Millimeters)	Standard Model Number
24"	36"	24 x 36	610 x 914	747-2436

Document No. 8735

This information is subject to change without formal notice.
MD 3239-1198