

## SOAP DISPENSER

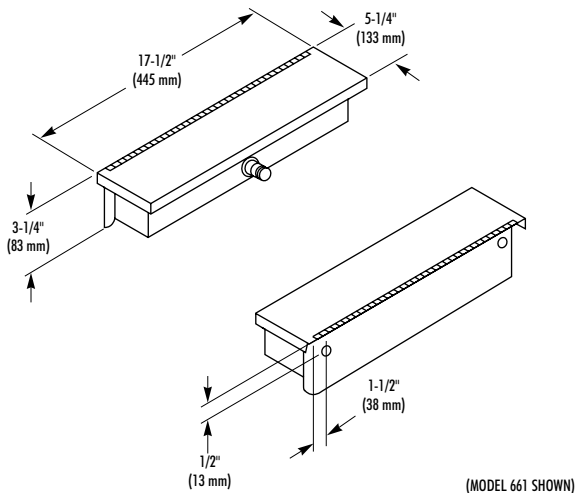
- Shelf Type Dispenser
- Surface Mounted
- Model 661 – One Soap Valve **Bradex™**
- Model 662 – Two Soap Valves **Bradex™**



MODEL 661



MODEL 662



# MODEL 661 662

### CONSTRUCTION:

- **HINGED SHELF** fabricated of type 304 (18-8), 20 gauge stainless steel with exposed surfaces in architectural satin finish.
- **RESERVOIR** fabricated of type 304 (18-8), 20 gauge stainless steel with exposed surfaces in architectural satin finish. Heliarc welded seams.
- **SOAP VALVE** has chrome plated brass housing with ABS plastic mechanism.

### CAPACITY:

80 oz. liquid soap.

### OPERATION:

Pump type valve draws liquid soap from bottom of reservoir. Dispenses measured amount of soap with each stroke. Sight gauge indicates refill time. Hinged shelf secured by concealed friction latch and 2 locking bars.

**NOTE:** Bradley liquid and lather soap valves operate best with any vegetable oil or coconut oil hand soap having a 10 to 15 percent soap concentration.

### INSTALLATION:

Secure dispenser with mounting screws (included). If mounted under a horizontal projection, allow 5" clearance for filling.

### OPTIONAL FEATURES:

Feature	Suffix
<input type="checkbox"/> Lather soap valve in lieu of liquid	-13

### GUIDE SPECIFICATION:

Shelf type soap dispenser shall be fabricated of 20 gauge 18-8 stainless steel. Soap valve has chrome plated brass housing with ABS plastic mechanism. Concealed friction latch for cover. Capacity: 80 oz. liquid soap.

Overall dimensions: 17-1/2"W x 3-1/4"H x 5-1/4"D.

Surface Mounted Shelf Type Soap Dispenser shall be Bradley Model 661 (662).