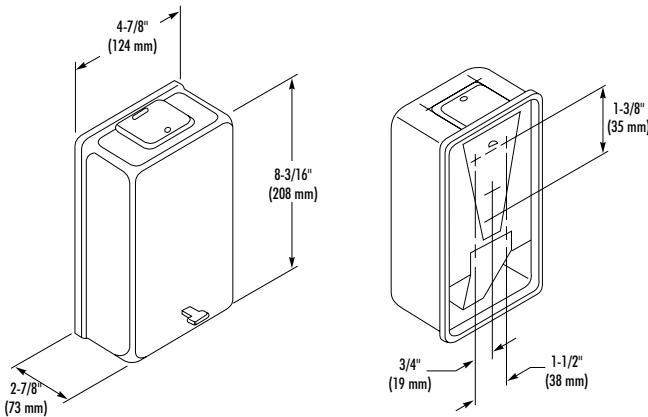
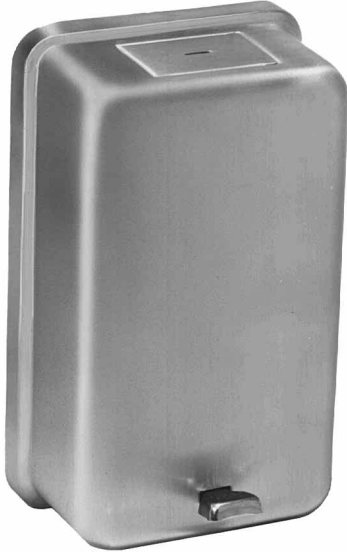


# SOAP DISPENSER

- Powdered Soap Dispenser
- Surface Mounted
- Stainless Steel Body

**Bradex™**



## CONSTRUCTION:

- **BODY** fabricated of 20 gauge stainless steel with exposed surfaces in architectural satin finish.
- **BACK** fabricated of heavy gauge stainless steel.
- **VALVE** fabricated of chrome plated brass with stainless steel agitator spring.
- **BACK PLATE** fabricated of heavy gauge plated steel.

## CAPACITY:

32 oz. powdered soap.

## OPERATION:

Depress knob to dispense powdered soap. Dispensing mechanism is adjustable. Special lock and key secures cover.

## INSTALLATION:

Secure separate mounting bracket to wall with mounting screws (included) at holes provided. Attach dispenser and secure locking screw thru top. If mounted under shelf, allow 4" clearance for filling.

## GUIDE SPECIFICATION:

Surface mounted powdered soap dispenser shall be fabricated of satin finished stainless steel with copper and nickel plated interior. Valve has adjustable dispensing mechanism and stainless steel agitator spring. Unit shall have concealed mounting and vandal-resistant filler hole cover. Capacity: 32 oz. powdered soap.

Overall dimensions: 4-7/8"W x 8-3/16"H x 2-7/8"D.

**Surface Mounted Powdered Soap Dispenser shall be Bradley Model 6583.**