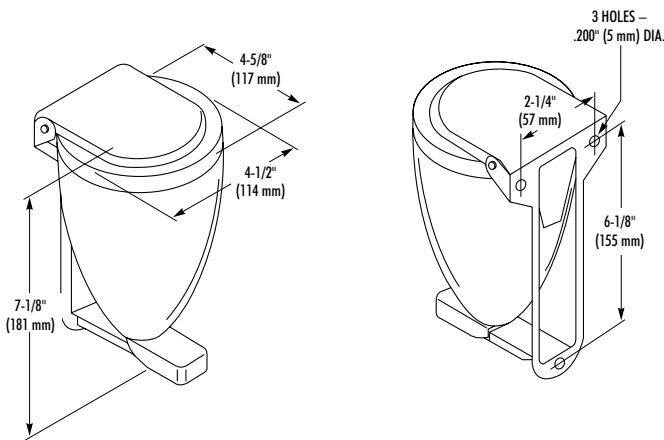


SOAP DISPENSER

- Powdered Soap Dispenser
- Surface Mounted
- Model 658-30 **Bradlex™**
Stainless Steel Container and Cover



CONSTRUCTION:

- **CONTAINER** fabricated of type 304 (18-8) satin finish stainless steel.
- **COVER** fabricated of type 304 (18-8) polished stainless steel.
- **DISPENSING MECHANISM** fabricated of heavy gauge stainless steel.
- **WALL PLATE** fabricated of heavy gauge chrome plated steel.

CAPACITY:

32 oz. powdered soap.

OPERATION:

Depress knob to dispense powdered soap. Top secured by special lock and key and hinged to provide full access for filling.

INSTALLATION:

Disassemble dispenser and mounting bracket. Secure bracket to wall with mounting screws at holes provided. Reattach dispenser. If mounted under a shelf, allow 5" clearance for filling.

GUIDE SPECIFICATION:

Powdered soap dispenser shall be fabricated of chrome plated steel and stainless steel, and equipped with a rocking action, controlled delivery mechanism. Capacity: 32 oz. powdered soap.

Overall dimensions: 4-1/2"W x 7-1/8"H x 4-5/8"D.

Surface Mounted Powdered Soap Dispenser shall be Bradley Model 658-30.