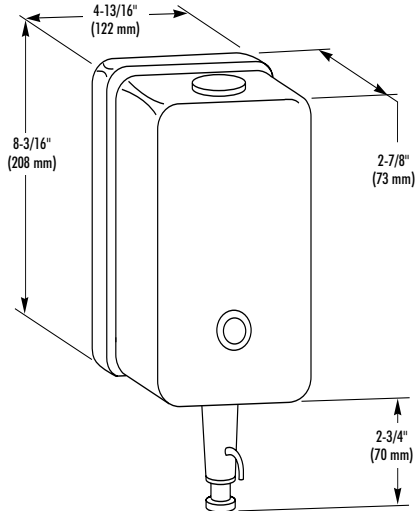


## SOAP DISPENSER

- Tank Type — Vertical Valve
- Surface Mounted

**Bradex™**



# MODEL 655

### CONSTRUCTION:

- **BODY** fabricated of type 304 (18-8), 20 gauge stainless steel with exposed surfaces in architectural satin finish.
- **BACK** fabricated of type 304 (18-8), 20 gauge stainless steel. Heliarc welded to the body.
- **WALL PLATE** of heavy gauge stainless steel.
- **SOAP VALVE** has chrome plated brass housing with ABS plastic and stainless steel mechanism.

### CAPACITY:

40 oz. liquid soap.

### OPERATION:

Push-up valve dispenses measured amount of vegetable or coconut oil liquid soaps, synthetic detergents, and antiseptic solutions. Sight gauge indicates refill time. Locked filler top opens with special key provided.

### INSTALLATION:

Secure separate mounting bracket to wall. Slide dispenser into place and secure locking screw through filler hole.

### GUIDE SPECIFICATION:

Surface mounted liquid soap dispenser shall be fabricated of 20 gauge satin finish stainless steel. Dispenser shall have completely concealed mounting, vandal-resistant filler hole cover and sight gauge. Push-up corrosion-resistant liquid soap valve. Capacity: 40 oz. liquid soap.

Overall dimensions: 4-13/16"W x 8-3/16"H x 2-7/8"D.

Surface Mounted Liquid Soap Dispenser shall be Bradley Model 655.

Document No. 8685

This information is subject to change without formal notice.  
MD 3239-1198