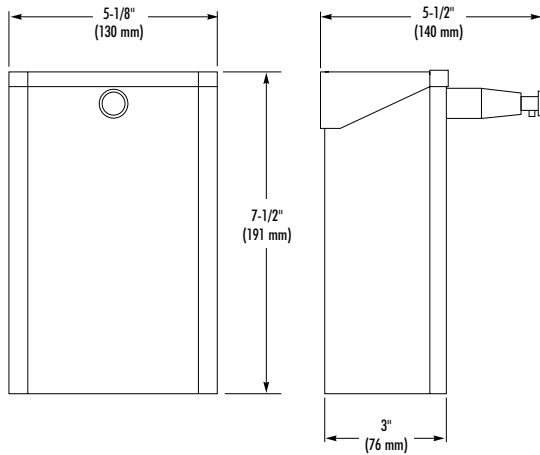
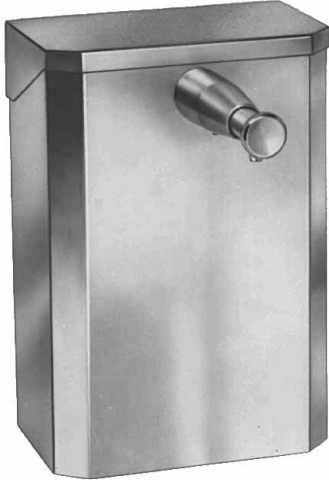


# SOAP DISPENSER

- Liquid Soap Dispenser
- Surface Mounted

**Bradex™**



## CONSTRUCTION:

- **TANK** fabricated of type 304 (18-8), 22 gauge stainless steel with exposed surfaces in architectural satin finish. Welded construction.
- **COVER** fabricated of 18 gauge stainless steel with exposed surfaces in architectural satin finish. Heavy duty hinge and keyed lock.
- **SOAP VALVE** has chrome plated brass housing with ABS mechanism.
- **WALL PLATE** of heavy duty steel, mechanically locked to dispenser.

## CAPACITY:

44 oz. liquid soap.

## OPERATION:

Push-in valve dispenses measured amount of liquid soap with each stroke. Cover secured with special lock and key and is removable for servicing.

**NOTE:** Bradley liquid and lather soap valves operate best with any vegetable oil or coconut oil hand soap having a 10 to 15 percent soap concentration.

## INSTALLATION:

Secure mounting bracket to wall and attach dispenser.

## GUIDE SPECIFICATION:

Surface mounted liquid soap dispenser shall be fabricated of satin finish stainless steel with 22 gauge tank and 18 gauge cover. All metal components in contact with liquid are fabricated of type 18-8 stainless steel. Capacity 44 oz. liquid soap.

Overall dimensions: 5-1/8"W x 7-1/2"H x 3"D.

**Surface Mounted Liquid Soap Dispenser shall be Bradley Model 6531.**