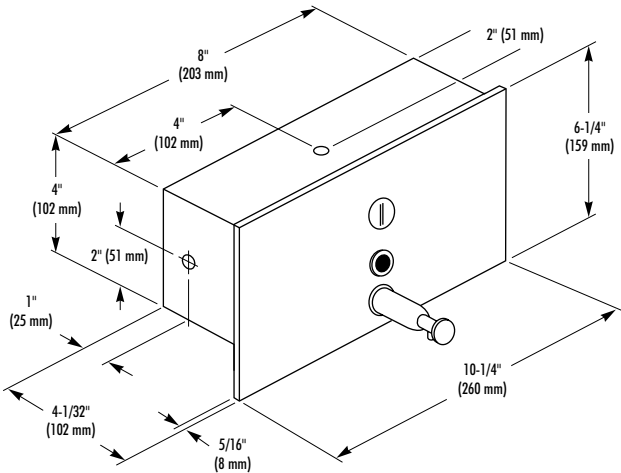


SOAP DISPENSER

- Accent Series – Color Laminate
- Specify color _____
(See color chart in back of catalog)
- Recess Mounted



CONSTRUCTION:

- **CABINET** fabricated of type 304 (18-8), heavy gauge stainless steel.
- **FACEPLATE** fabricated of 5/16" thick solid laminate, made of colored Melamine bonded under high pressure to a phenolic core. All exposed edges are machined smooth to a uniform dark finish. Faceplate and soap vessel form one integral piece. Tumbler lock keyed like other Bradley units.
- **SOAP VESSEL** fabricated of type 304 (18-8), 22 gauge stainless steel with exposed surfaces in architectural satin finish.
- **SOAP VESSEL LINER** is molded high-impact polystyrene.
- **SOAP VALVE** of chrome plated brass with ABS mechanism. Internal Buna-N check valves prevent leakage.

CAPACITY:

32 oz. liquid soap.

OPERATION:

Soap dispenser slides open for filling and cleaning. Sight gauge indicates refill time. Valve dispenses measured amount of liquid soap.

INSTALLATION:

Requires rough wall opening 8-1/2"W x 4-1/2"H x 4"D. Secure to framing with mounting screws (included) at holes provided. Shim at screw points as required.

OPTIONAL FEATURES:

Feature	Suffix
<input type="checkbox"/> Lather soap valve in lieu of liquid	-13

GUIDE SPECIFICATION:

Recessed liquid soap dispenser shall be fabricated of type 304 (18-8), heavy gauge stainless steel with exposed surfaces in satin finish. Faceplate of 5/16" thick solid laminate and secured by tumbler lock. Capacity: 32 oz. liquid soap.

Overall dimensions: 10-1/4"W x 6-1/4"H x 4"D.

Recessed Soap Dispenser shall be Bradley Model 6438-_____ (specify Bradley color number).