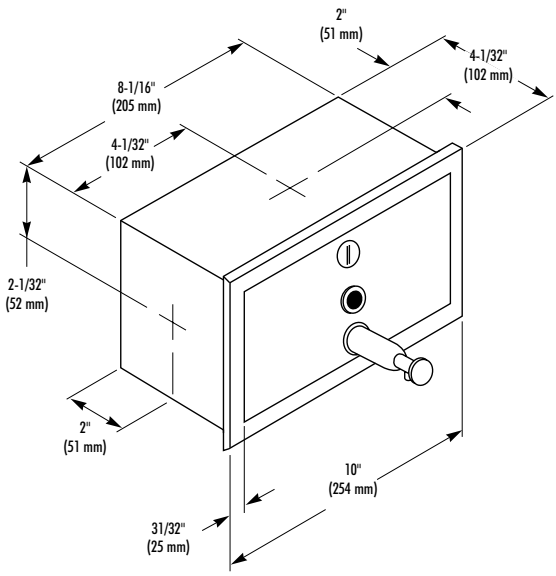


# SOAP DISPENSER

- Recess Mounted
- Bradex™**



**CONSTRUCTION:**

- **FLANGE** fabricated of type 304 (18-8), 22 gauge stainless steel with exposed surfaces in architectural satin finish. One piece seamless construction, 1" wide with beveled edges.
- **CABINET** fabricated of type 304 (18-8), heavy gauge stainless steel.
- **SOAP VESSEL** fabricated of type 304 (18-8), 22 gauge stainless steel with exposed surfaces in architectural satin finish. Tumbler lock keyed like other Bradley units.
- **SOAP VESSEL LINER** is plastic.
- **SOAP VALVE** of chrome plated brass with ABS mechanism. Internal Buna-N check valves prevent leakage.

**CAPACITY:**

32 oz. liquid soap.

**OPERATION:**

Soap dispenser slides open for filling and cleaning. Sight gauge indicates refill time. Valve dispenses measured amount of liquid soap.

**INSTALLATION:**

Requires rough wall opening 8-1/2"W x 4-1/2"H x 4"D. Secure to framing with mounting screws (included) at holes provided. Shim at screw points as required.

**OPTIONAL FEATURES:**

Feature	Suffix
<input type="checkbox"/> Lather soap valve in lieu of liquid	-13

**GUIDE SPECIFICATION:**

Recessed liquid soap dispenser shall be fabricated of type 304 (18-8), 22 gauge stainless steel with exposed surfaces in satin finish. Capacity: 32 oz. liquid soap.

Overall dimensions: 10"W x 6"H x 4"D.

**Recessed Soap Dispenser shall be Bradley Model 643.**