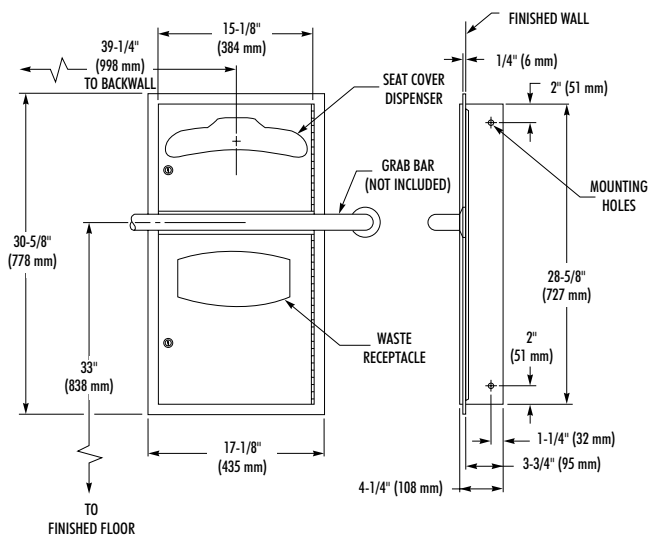
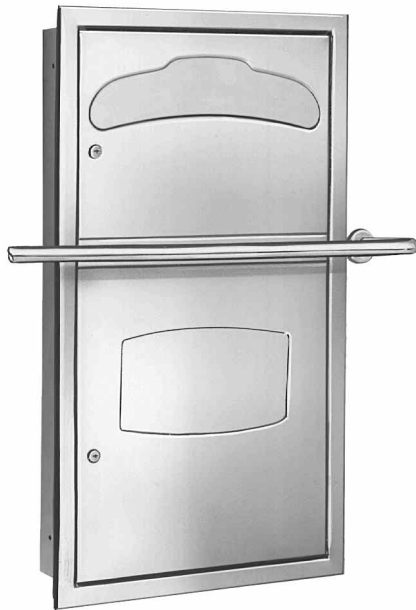


COMBINATION UNIT

- Recess Mounted – Seat Cover Dispenser
- Model 5932 – Recessed **Bradlex™**



CONSTRUCTION:

- **FLANGE** fabricated of type 304 (18-8), 22 gauge stainless steel with exposed surfaces in architectural satin finish. Flange of one piece seamless construction, 1" wide with 1/4" return.
- **CABINET** fabricated of type 304 (18-8), 22 gauge stainless steel with exposed surfaces in architectural satin finish. Welded construction with burr-free edges.
- **DOOR** fabricated of type 304 (18-8), 18 gauge stainless steel with full length piano hinge and tumbler lock keyed like other Bradley units.
- **PUSH FLAP DOOR** fabricated of type 304 (18-8), 22 gauge stainless steel with exposed surfaces in architectural satin finish. Self-closing, with heavy duty stainless steel piano hinge.
- **WASTE CONTAINER** fabricated of type 304 (18-8), 22 gauge stainless steel. 1.7 gal. capacity.

CAPACITY:

Toilet Seat Cover Dispensers-1000 standard single-fold or half-fold toilet seat covers.

OPERATION:

Hinged access door permits servicing of components from one side.

INSTALLATION:

Requires rough wall opening 15-1/2"W x 28-7/8"H x 4"D. Top of wall opening 3'-9" above finished floor (meets Barrier-Free requirements). Secure to framing with mounting screws (included) at holes provided. Recessed unit allows clearance for grab bar (not included) across front of unit.

GUIDE SPECIFICATION:

Recessed combination unit shall include toilet seat cover dispenser and napkin disposal, and be fabricated of type 304 (18-8), heavy gauge stainless steel with seamless exposed surfaces in satin finish. Door and back panel shall be 18 gauge. Door shall have piano hinge and tumbler lock.

Overall dimensions: 17-1/8"W x 30-5/8"H x 4-1/4"D.

Recessed Combination Unit shall be Bradley Model 5932.