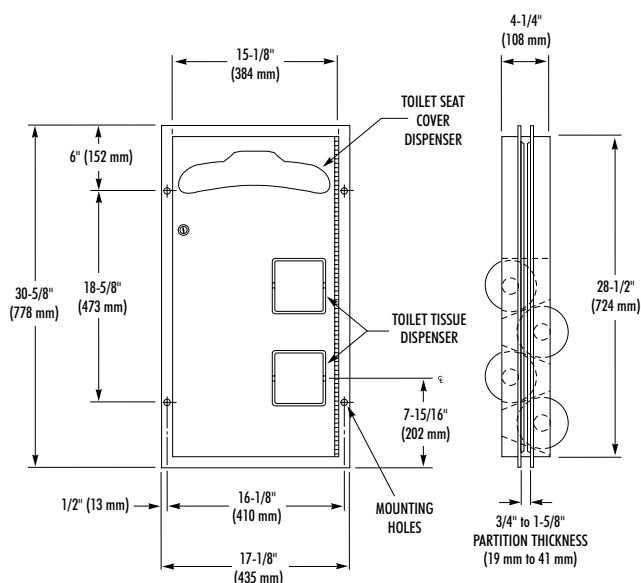


COMBINATION UNIT

- Partition Mounted
- Serves Two Compartments
- Seat Cover Dispenser
- Dual Roll Tissue Dispenser

Bradex™



CONSTRUCTION:

- **FLANGE** fabricated of type 304 (18-8), 22 gauge stainless steel with exposed surfaces in architectural satin finish. Flange of one piece seamless construction, 1" wide with 1/4" return.
- **CABINET** fabricated of type 304 (18-8), 22 gauge stainless steel with exposed surfaces in architectural satin finish. Welded construction with burr-free edges.
- **DOOR** fabricated of type 304 (18-8), 18 gauge stainless steel with full length piano hinge and tumbler lock keyed like other Bradley units.
- **SPINDLES** of polyethylene, non-removable by user.

CAPACITY:

Toilet Seat Cover Dispensers - 1,000 standard single-fold or half-fold toilet seat covers (500 per side); Toilet Tissue Dispensers - four standard core toilet tissue rolls through 5" in diameter.

OPERATION:

Hinged access door permits servicing of components from one side.

INSTALLATION:

Requires partition opening 15-1/2"W x 28-7/8"H. Top of partition opening 4'-11" above finished floor. (Location of hole and dimensions should be noted in partition specifications.) Flanges adjustable for partitions from 3/4" to 1-5/8" thick. Remove one flange and install cabinet in partition opening flush against partition. Position flanges on both sides of cabinet and secure with mounting screws (included) at holes provided.

GUIDE SPECIFICATION:

Partition mounted combination unit shall include toilet seat cover dispenser and toilet tissue dispenser and be fabricated of type 304 (18-8), heavy gauge stainless steel with seamless exposed surfaces in satin finish. Door and back panel shall be 18 gauge. Door shall have piano hinge and tumbler lock.

Overall dimensions: 17-1/8"W x 30-5/8"H x 4-1/4"D.

Partition Mounted Combination Unit shall be Bradley Model 592.