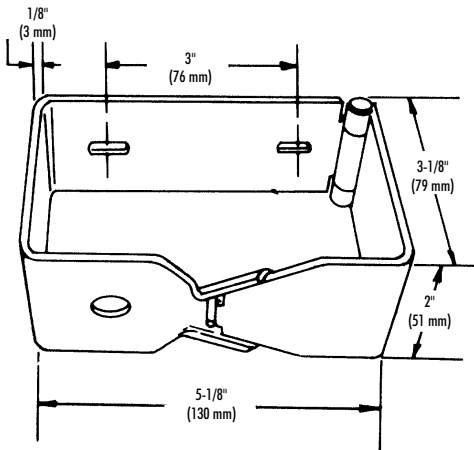
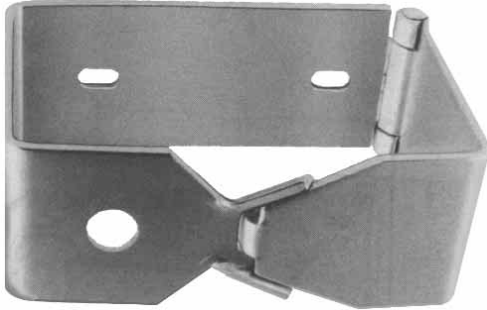


## TOILET TISSUE DISPENSER

- Non-Controlled Delivery
- Single Roll

**Bradex™**



**MODEL 5053**

### CONSTRUCTION:

- UNIT fabricated of 1/8" thick epoxy-coated aluminum. One piece construction with hinged arm and snap lock, which is concealed by tissue roll. No removable parts.

### CAPACITY:

One standard core toilet tissue roll through 4-1/2" in diameter.

### OPERATION:

Remove tissue roll core to access snap lock for servicing.

### INSTALLATION:

Secure to wall with mounting screws (not included) at holes provided.

### GUIDE SPECIFICATION:

Surface mounted toilet tissue dispenser shall be 1/8" thick anodized aluminum and hold one standard core toilet tissue roll.

Overall dimensions: 5-1/8"W x 2"H x 3-1/8"D.

Surface Mounted Toilet Tissue Dispenser shall be Bradley Model 5053.

Document No. 8430

This information is subject to change without formal notice.  
MD 3239-1198