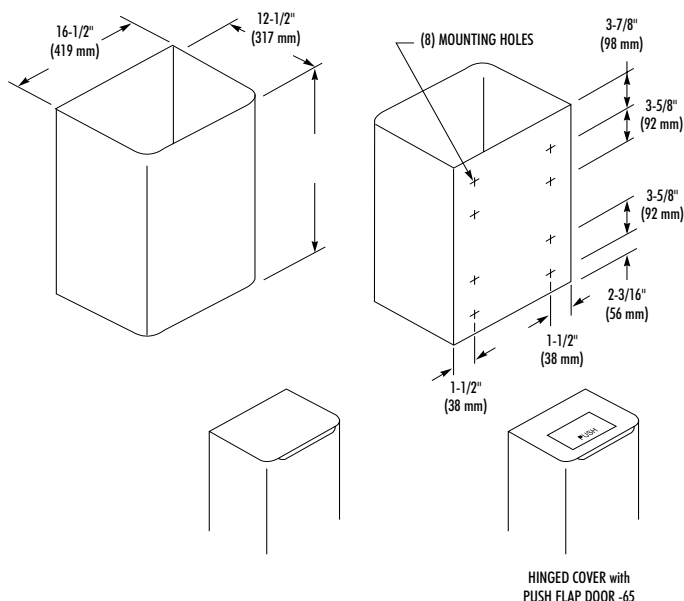
 When installed as specified below, unit meets Barrier-Free requirements

WASTE RECEPTACLE

- Surface Mounted
- 20.6 Gallon Capacity

Bradex™



CONSTRUCTION:

- **RECEPTACLE** fabricated of type 304 (18-8), 22 gauge stainless steel with exposed surfaces in architectural satin finish. All welded construction with rounded front corners.
- **LINER** (optional) fabricated of heavy duty stitched vinyl with brass grommets.
- **HINGED COVER** (optional) fabricated of type 304 (18-8), 22 gauge stainless steel with exposed surfaces in architectural satin finish. Heavy duty stainless steel piano hinge.
- **PUSH FLAP DOOR** (optional) fabricated of type 304 (18-8), 22 gauge stainless steel with exposed surfaces in architectural satin finish. Heavy duty stainless steel piano hinge. Self-closing flap door is embossed "PUSH".

CAPACITY:

20.6 gal. (2.8 cu. ft.).

OPERATION:

Optional vinyl liner is attached to receptacle at four grommet points, easily removed for servicing.

INSTALLATION:

Secure to wall with mounting screws (included) at holes provided.

OPTIONAL FEATURES

Feature	Suffix
<input type="checkbox"/> Hinged cover	-35
<input type="checkbox"/> Hinged cover with push flap door	-65

GUIDE SPECIFICATION:

Surface mounted waste receptacle (355-35 with hinged cover, 355-65 with hinged cover and push flap door) shall be fabricated of type 304 (18-8), stainless steel with seamless exposed surfaces in satin finish. Reuseable heavy duty vinyl liner (optional) holds 20.6 gal.

Overall dimensions: 16-1/2"W x 23"H x 12-1/2"D.

Surface Mounted Waste Receptacle shall be Bradley Model 355.