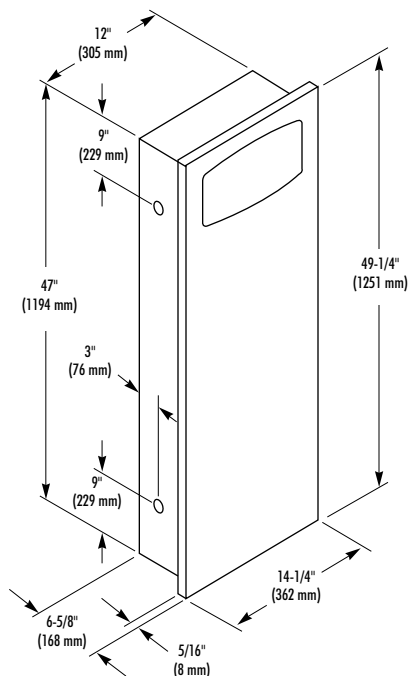
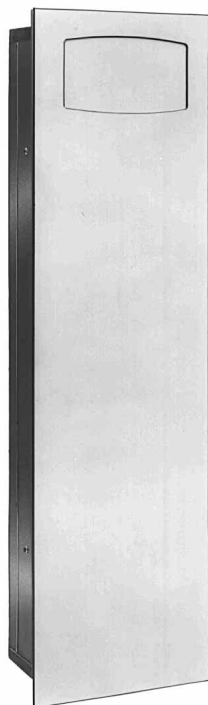


WASTE RECEPTACLE

- Accent Series – Color Laminate
- Specify color _____
(See color chart in back of catalog)
- Model 3158 – Recessed
- Model 3158-10 – Semi-recessed
(recesses 3"; projects 3-5/8")
- Model 3158-11 – Surface Mounted (projects 6-5/8")



Document No. 8275

This information is subject to change without formal notice.
MD 3239-1198

CONSTRUCTION:

- **CABINET** fabricated of type 304 (18-8), 22 stainless steel with exposed surfaces in architectural satin finish. Welded construction with seamless corners and burr-free edges.
- **DOOR** fabricated of 5/16" thick solid laminate, made of colored Melamine bonded under high pressure to a phenolic core. All exposed edges are machined smooth to a uniform dark finish. Attached to cabinet with full length, heavy duty stainless steel piano hinge. Equipped with two latches. Tumbler lock optional.
- **PUSH FLAP DOOR** is same material as cabinet door. Heavy duty stainless steel piano hinge.
- **WASTE RECEPTACLE INSERT** fabricated of leakproof molded plastic.

CAPACITY:

10.5 gal. (1.3 cu. ft.).

OPERATION:

Waste receptacle insert removable by opening cabinet door.

INSTALLATION:

Recessed unit requires rough wall opening 12-1/2"W x 47-1/2"H x 6-1/2"D (Semi-recessed unit only 3" deep). Top of wall opening 4'- 5" above finished floor. Secure to framing with mounting screws (included) at holes provided. Shim at screw points as required.

OPTIONAL FEATURES:

Feature	Suffix
<input type="checkbox"/> Two (2) tumbler locks	-15

GUIDE SPECIFICATION:

Recessed waste receptacle shall be fabricated of type 304 (18-8), heavy gauge stainless steel. Cabinet door of 5/16" thick solid laminate with full length piano hinge and secured by two latches. Removable 10.5 gal. leakproof molded plastic insert for waste receptacle.

Overall dimensions: 14-1/4"W x 49-1/4"H x 6-3/4"D.

Recessed Waste Receptacle shall be Bradley Model 3158-_____.
(Specify Bradley color number.)