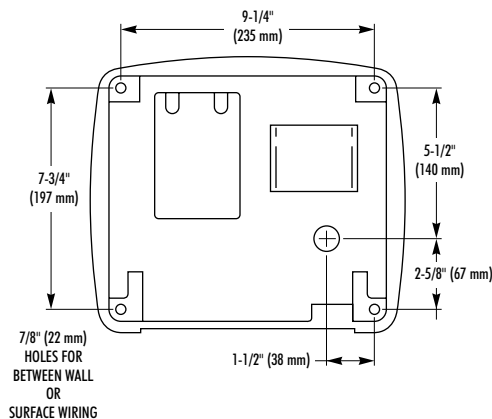


**MODEL 2873/2883**  
**2874/2884**

**HAND/HAIR DRYER**

- Surface Mounted
- Model 2873 – Hand Dryer-White **Bradlex™**
- Model 2883 – Hand Dryer-Color  
(Specify color \_\_\_\_\_)
- Model 2874 – Hair Dryer-White **Bradlex™**
- Model 2884 – Hair Dryer-Color  
(Specify color \_\_\_\_\_)



**CONSTRUCTION:**

- **COVER:** Fabricated of grey cast iron with baked porcelain enamel on all exterior surfaces.
- **NOZZLE AND PUSHBUTTON:** Fabricated of rust and corrosion free diecast zinc with chrome-plated finish. Rotating nozzle. Model 2873/2883 nozzle-directs air straight down; Model 2874/2884 nozzle directs air out from vertical 20 degrees.
- **MOTOR:** is Universal type, 1/10 HP at 7500 RPM with resilient ring mounts and sealed, lubricated ball bearings. Protected by 2 amp fuse. 115 volt, 20 amp, 60 hz standard.
- **HEATING ELEMENT:** 2300 watt, nickel chromium wire wound on ceramic cruciforms with integral automatic resetting circuit breaker.
- **SWITCH TIMER:** 25 ampere rated switch, 30 second timer Model 2873/2883; 80 second timer Model 2874/2884.
- **BLOWER:** Operates at 7500 RPM delivering 130 CFM at 140 deg. F. and average velocity of 7300 LFM.
- **BASE PLATE:** Fabricated of rust-free diecast aluminum; media polished to bright finish.
- **AIR INLET:** Positioned on bottom of cover, Model 2873/2883; top of cover Model 2874/2884. Inlet covered by expanded steel grillwork.
- **COVER LOCKING:** Two detent rods secured by 1/4" diameter socket head safety screws; special wrench provided.
- **ENTIRE UNIT:** U.L. listed and guaranteed against defects in material and/or workmanship for ten (10) years.

**OPERATION:**

Press pushbutton and release to activate dryer. Rotate nozzle to direct air flow on face.

**INSTALLATION:**

Secure base plate to wall with four 1/4" diameter fasteners suitable to wall construction. Base knockouts allow either rear or front wiring. Connect electrical service to terminal block on blower housing per cover mounted wiring diagram. Attach cover to base before energizing dryer at breaker panel.

**OPTIONAL FEATURES:**

Feature	Suffix
<input type="checkbox"/> Fixed nozzle (Models 2873/2883 only)	-28
<input type="checkbox"/> 208 Volt, 11 amp, 60 Hz	-29
<input type="checkbox"/> 230 Volt, 10 amp, 60 Hz	-53
<input type="checkbox"/> 230 Volt, 10 amp, 50 Hz	-49

**GUIDE SPECIFICATION:**

Surface mounted hand (hair) dryer cover shall be fabricated of porcelain enamel grey cast iron fitted with insulated pushbutton and rotating nozzle. Universal type motor with resilient mounts and sealed, lubricated ball bearings; fuse protected. Automatic reset circuit breaker protecting heating element. Dryer shall deliver 130 CFM of air at 140 F and 7300 LFM average velocity for 30 seconds (80 seconds for hair). Entire unit U.L. listed and guaranteed against defects in material and/or workmanship for 10 years.

Overall dimensions: 11-9/16"W x 9-5/8"H x 6-5/8"D (8-1/4" at nozzle tip).

Surface Mounted Hand (Hair) Dryer shall be Bradley Model \_\_\_\_\_  
(insert model number).