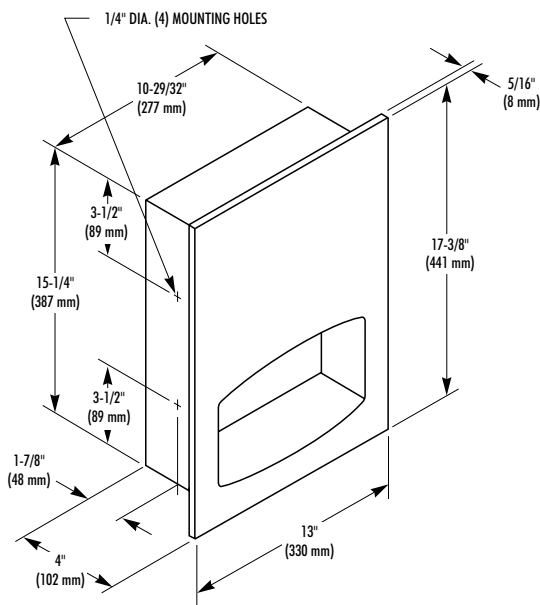
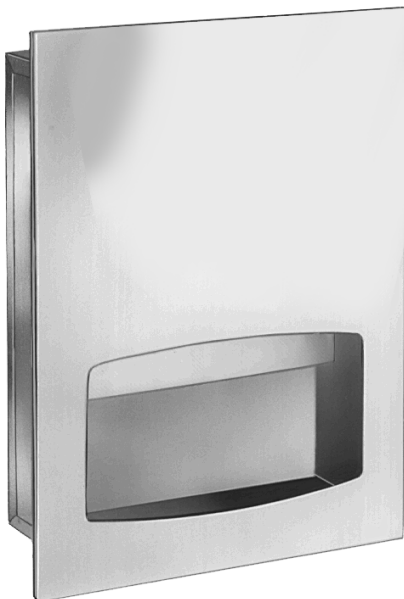


TOWEL DISPENSER

- Accent Series – Color Laminate
- Specify color _____
(See color chart in back of catalog)
- Model 2443 – Recessed
- Model 2443-10 – Semi-recessed (recesses 2-1/8"; projects 1-7/8")
- Model 2443-11 – Surface Mounted (projects 4")



CONSTRUCTION:

- **CABINET** fabricated of type 304 (18-8), 22 gauge stainless steel with exposed surfaces in architectural satin finish. Welded construction with seamless corners and burr-free edges.
- **DOOR** fabricated of 5/16" thick solid laminate, made of colored Melamine bonded under high pressure to a phenolic core. All exposed edges are machined smooth to a uniform dark finish. Attached to cabinet with full length, heavy duty stainless steel piano hinge. Equipped with a latch. Tumbler lock optional.
- **TOWEL DISPENSER** fabricated of type 304 (18-8), 22 gauge stainless steel. Rolled edge on dispenser opening.

CAPACITY:

400 multi-fold or 300 C-fold paper towels.

OPERATION:

Towel dispenser holds multi-fold or C-fold towels without use of special adaptor.

INSTALLATION:

Recessed unit requires rough wall opening 11-13/32"W x 15-3/4"H x 4"D (Semi-recessed unit only 2-1/8" deep). Top of wall opening 5'-7" above finished floor. For Barrier-Free applications, top of wall opening 4'-3" above finished floor. Secure to framing with mounting screws (included) at holes provided. Shim at screw points as required.

OPTIONAL FEATURES:

Feature	Suffix
<input type="checkbox"/> Tumbler lock	-15

GUIDE SPECIFICATION:

Recessed towel dispenser shall be fabricated of type 304 (18-8), heavy gauge stainless steel. Cabinet door of 5/16" thick solid laminate with full length piano hinge and secured by a latch. Towel dispenser capacity 400 multi-fold or 300-C fold towels.

Overall dimensions: 13"W x 17-3/8"H x 4-1/8"D.

Recessed Towel Dispenser shall be Bradley Model 2443-_____ (Specify Bradley Color Number).