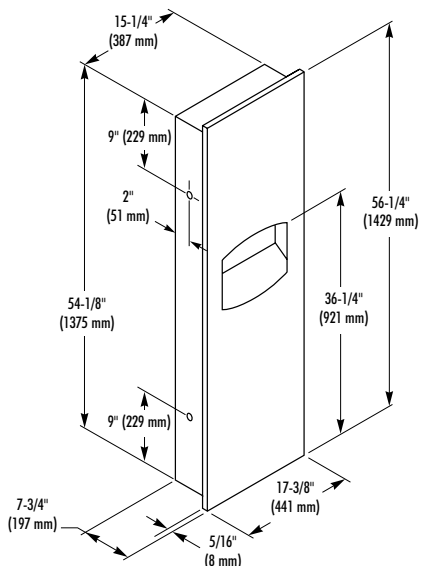


TOWEL DISPENSER/ WASTE RECEPTACLE

- Accent Series – Color Laminate
- Specify color _____
(See color chart in back of catalog)
- Model 2038 – Recessed
- Model 2038-10 – Semi-recessed (recesses 3-7/8"; projects 3-7/8")
- Model 2038-11 – Surface Mounted (projects 7-3/4")



Document No. 8075

This information is subject to change without formal notice.
MD 3239-1198

CONSTRUCTION:

- **CABINET** fabricated of type 304 (18-8) 22 gauge stainless steel with exposed surfaces in architectural satin finish. Welded construction with seamless corners and burr-free edges.
- **DOOR** fabricated of 5/16" thick solid laminate, made of colored Melamine bonded under high pressure to a phenolic core. All exposed edges are machined smooth to a uniform dark finish. Attached to cabinet with full length, heavy duty stainless steel piano hinge. Equipped with two latches.
- **TOWEL DISPENSER** fabricated of type 304 (18-8) 22 gauge stainless steel. Rolled edge on dispenser opening.
- **WASTE RECEPTACLE INSERT** fabricated of type 304 (18-8) stainless steel. All welded construction.

CAPACITY:

Towel Dispenser-1100 single-fold, 800 multi-fold or 600 C-fold paper towels.
Waste Receptacle Insert-12 gal. (1.6 cu. ft.)

OPERATION:

Towel dispenser holds single-fold, multi-fold or C-fold towels without use of special adaptor. Waste receptacle insert removable by opening cabinet door.

INSTALLATION:

Recessed unit requires rough wall opening 15-3/4"W x 54-5/8"H x 7-1/2"D (Semi-recessed unit only 4" deep). Top of wall opening 6'-5" above finished floor. For Barrier-Free applications, top of wall opening 4'11" above finished floor. Secure to framing with mounting screws (included) at holes provided. Shim at screw points as required.

OPTIONAL FEATURES:

Feature	Suffix
<input type="checkbox"/> Two (2) tumbler locks	-15

GUIDE SPECIFICATION:

Recessed combination towel dispenser and waste receptacle shall be fabricated of type 304 (18-8) heavy gauge stainless steel. Cabinet door of 5/16" thick solid laminate with full length piano hinge and secured by two latches. Towel dispenser capacity 1100 single-fold, 800 multi-fold or 600 C-fold towels. Removable 12 gal. stainless steel insert for waste receptacle.

Overall dimensions: 17-3/8"W x 56-1/4"H x 7-3/4"D.

Recessed Combination Towel Dispenser and Waste Receptacle shall be Bradley Model 2038-_____. (Specify Bradley color number.)