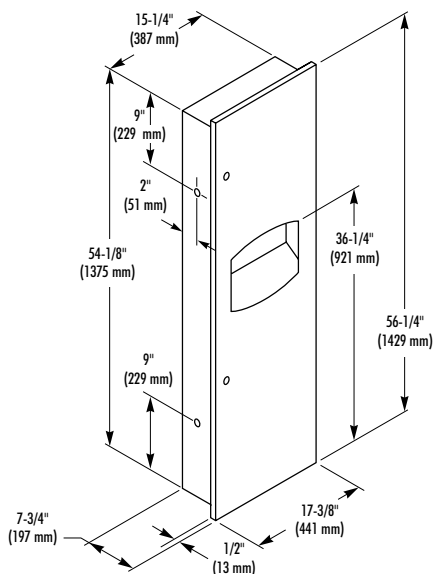
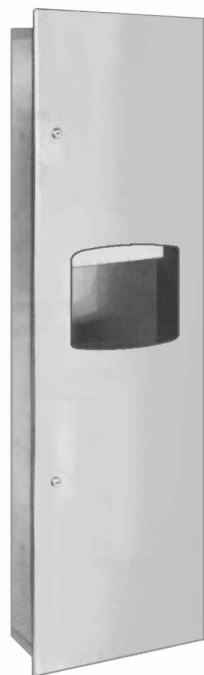


TOWEL DISPENSER/ WASTE RECEPTACLE


- Contemporary Series – Satin Finish
- Model 2037 – Recessed **Bradlex™**
- Model 2037-10 – Semi-recessed **Bradlex™**
(recesses 3-3/4"; projects 4")
- Model 2037-11 – Surface Mounted (projects 7-3/4")



Document No. 8065

This information is subject to change without formal notice.
MD 3239-1198

MODEL 2037

 When installed as specified below, unit meets Barrier-Free requirements

CONSTRUCTION:

- **CABINET** fabricated of type 304 (18-8) 22 gauge stainless steel with exposed surfaces in architectural satin finish. Welded construction with seamless corners and burr-free edges.
- **DOOR** fabricated of type 304 (18-8) 18 gauge stainless steel. 1/2" return for maximum rigidity. Concealed full length stainless steel piano hinge and 2 tumbler locks keyed like other Bradley units.
- **TOWEL DISPENSER** fabricated of type 304 (18-8) 22 gauge stainless steel. Rolled edge on dispenser opening.
- **WASTE RECEPTACLE INSERT** fabricated of type 304 (18-8) stainless steel. All welded construction.

CAPACITY:

Towel Dispenser-1100 single-fold, 800 multi-fold or 600 C-fold paper towels. Waste Receptacle Insert-12 gal. (1.6 cu. ft.).

OPERATION:

Towel dispenser holds single-fold, multi-fold or C-fold towels without use of special adaptor. Waste receptacle insert removable by unlocking cabinet door.

INSTALLATION:

Recessed unit requires rough wall opening 15-3/4"W x 54-5/8"H x 7-1/2"D (Semi-recessed unit only 4" deep). Top of wall opening 6'-5" above finished floor. For Barrier-Free applications, top of wall opening 4'11" above finished floor. Secure to framing with mounting screws (included) at holes provided. Shim at screw points as required.

GUIDE SPECIFICATION:

Recessed combination towel dispenser and waste receptacle shall be fabricated of heavy gauge type 304 (18-8) stainless steel with exposed surfaces in satin finish. Cabinet door of 18 gauge stainless steel with full length piano hinge and secured by tumbler locks. Towel dispenser capacity 1100 single-fold, 800 multi-fold or 600 C-fold towels. Removable 12 gal. stainless steel insert for waste receptacle.

Overall dimensions: 17-3/8"W x 56-1/4"H x 7-3/4"D.

Recessed Combination Towel Dispenser and Waste Receptacle shall be Bradley Model 2037.