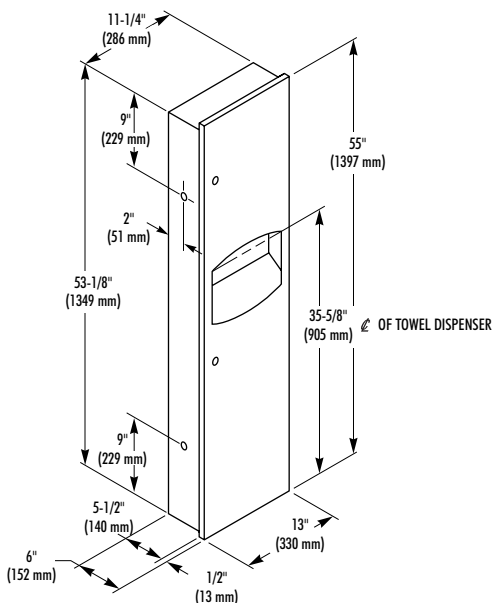


TOWEL DISPENSER/ WASTE RECEPTACLE

- Contemporary Series – Satin Finish
- Model 2017 – Recessed **Bradex™**
- Model 2017-10 – Semi-recessed **Bradex™**
(recesses 3-1/2"; projects 2-1/2")
- Model 2017-11 – Surface Mounted **Bradex™**
(projects 6")



Document No. 8050

This information is subject to change without formal notice.
MD 3239-1198

CONSTRUCTION:

- **CABINET** fabricated of type 304 (18-8) 22 gauge stainless steel with exposed surfaces in architectural satin finish. Welded construction with seamless corners and burr-free edges.
- **DOOR** fabricated of type 304 (18-8) 18 gauge stainless steel, 1/2" return for maximum rigidity. Concealed full-length stainless steel piano hinge, 2 tumbler locks keyed like other Bradley units.
- **TOWEL DISPENSER** fabricated of type 304 (18-8) 22 gauge stainless steel. Rolled edge on dispenser opening.
- **WASTE RECEPTACLE COVER** fabricated of type 304 (18-8) 22 gauge stainless steel. Spring hinge provides for self-closure.
- **WASTE RECEPTACLE INSERT** fabricated of leakproof molded plastic.

CAPACITY:

Towel Dispenser-1100 single-fold, 800 multi-fold or 600 C-fold paper towels. Waste Receptacle Insert-5.75 gal. (.8 cu. ft.)

OPERATION:

Towel dispenser holds single fold, multi-fold or C-fold towels without use of special adaptor. Waste receptacle insert removable by unlocking cabinet door.

INSTALLATION:

Recessed unit requires rough wall opening 11-3/4"W x 53-5/8"H x 5-3/4"D (Semi-recessed unit only 3-3/4" deep). Top of wall opening 5'0" above finished floor. Secure to framing with mounting screws (included) at holes provided. Shim at screw points as required.

GUIDE SPECIFICATION:

Recessed combination towel dispenser and waste receptacle shall be fabricated of heavy gauge type 304 (18-8) stainless steel with exposed surfaces in satin finish. Cabinet door of 18 gauge stainless steel with full length concealed piano hinge and secured by 2 tumbler locks. Towel dispenser capacity 1100 single-fold, 800 multi-fold or 600 C-fold towels. Removable 5.75 gal. leakproof molded plastic insert for waste receptacle.

Overall dimensions: 13"W x 55"H x 6"D.

Recessed Combination Towel Dispenser and Waste Receptacle shall be Bradley Model 2017.