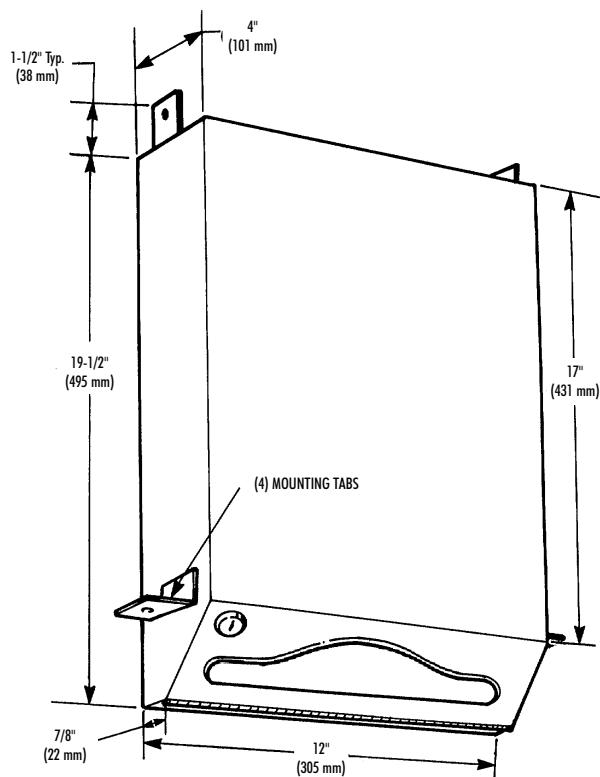


TOWEL DISPENSER

- For Installation Behind Wall or Mirror

Bradex™



CONSTRUCTION:

- **CABINET** fabricated of type 304 (18-8), 22 gauge stainless steel.
- **TOWEL TRAY** fabricated of type 304 (18-8), 22 gauge stainless steel.
- **TOWEL DISPENSER** fabricated of type 304 (18-8), 22 gauge steel piano hinge and tumbler lock keyed like other Bradley units. Rolled edge on dispenser opening.

CAPACITY:

Towel Dispenser – 800 multi-fold or 600 C-fold paper towels.

OPERATION:

Towel dispenser holds multi-fold or C-fold towels without use of special adaptor. Lock secures hinged towel dispenser lip which opens for refilling from bottom.

INSTALLATION:

Requires rough wall opening 12-1/2"W x 18-1/2"H x 4"D. Install cabinet prior to installation of wall surface or mirror. Secure to framing with mounting screws (included) at holes provided. Shim at screw points as required.

GUIDE SPECIFICATION:

Recessed towel dispenser (for behind wall or mirror installation) shall be fabricated of type 304 (18-8) stainless steel with exposed surfaces in satin finish. Towel dispenser with piano hinge and tumbler lock. Towel dispenser capacity 800 multi-fold or 600 C-fold towels.

Overall dimensions: 12"W x 19-1/2"H x 4"D.

Recessed Towel Dispenser shall be Bradley Model 1981.

Document No. 8040

This information is subject to change without formal notice.
MD 3239-1198