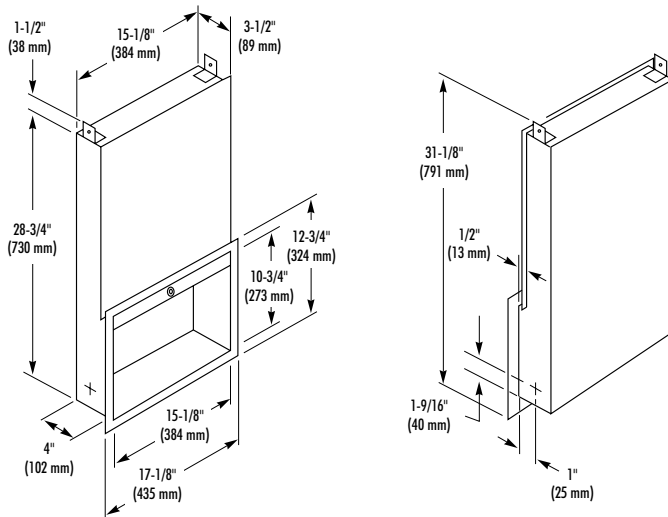


MULTI-PURPOSE UNIT

- For Installation Behind Wall or Mirror
- For 1/2" Thick Drywall Installation

Bradex™



CONSTRUCTION:

- **CABINET** fabricated of type 304 (18-8), heavy gauge stainless steel.
- **FLANGE** fabricated of type 304 (18-8), 22 gauge stainless steel with exposed surfaces in architectural satin finish. One piece seamless construction, 1" wide with beveled edges.
- **TOWEL TRAY** fabricated of type 304 (18-8), 22 gauge stainless steel.
- **TOWEL DISPENSER** fabricated of type 304 (18-8), 22 gauge stainless steel piano hinge and tumbler lock. Rolled edge on dispenser opening.
- **EXTERIOR SHELF** fabricated of type 304 (18-8), 22 gauge stainless steel with an area of 60 sq. in.
- **LOCK** on towel dispenser keyed like other Bradley units.

CAPACITY:

Towel Dispenser — 800 multi-fold or 600 C-fold paper towels.

OPERATION:

Towel dispenser holds multi-fold or C-fold towels without use of special adaptor. Lock secures hinged towel dispenser lip which opens for refilling from bottom.

INSTALLATION:

Requires rough wall opening 15-5/8"W x 30-1/4"H x 4"D. Install cabinet prior to installation of wall surface or mirror. Secure to framing with mounting screws (included) at holes provided. Shim at screw points as required.

GUIDE SPECIFICATION:

Recessed multi-purpose unit (for behind wall or mirror installation) consisting of recessed towel dispenser and shelf and shall be fabricated of type 304 (18-8) stainless steel with exposed surfaces in satin finish. Towel dispenser with piano hinge and tumbler lock. Towel dispenser capacity 800 multi-fold or 600 C-fold towels.

Overall dimensions: 17-1/8"W x 31-1/8"H x 4"D.

Recessed Multi-Purpose Unit shall be Bradley Model 198.