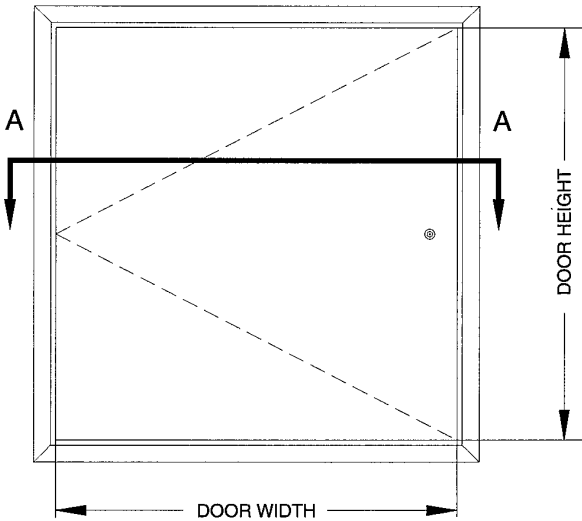


# C-MT SERIES

## C-MT; MEDIUM SECURITY NON-RATED ACCESS PANEL FOR WALLS AND CEILINGS - ALL SURFACES



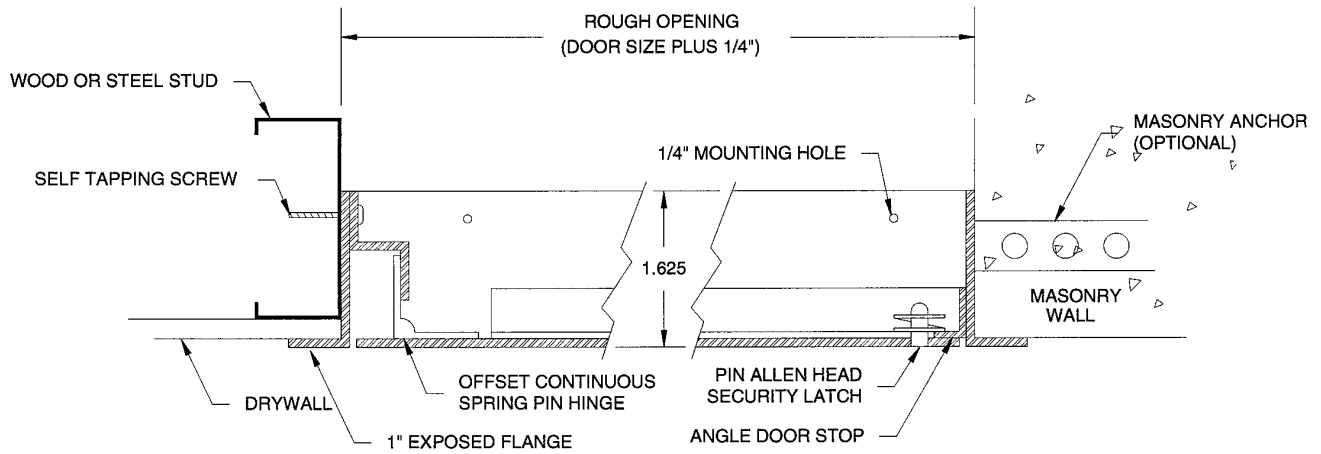
**FRONT ELEVATION**  
NOT TO SCALE

### SPECIFICATIONS

- 12 GAUGE COLD ROLLED STEEL FRAME
- 12 GAUGE COLD ROLLED STEEL DOOR
- PHOSPHATE DIPPED WITH BAKED ON RUST INHIBITIVE GRAY PRIME FINISH
- CONCEALED CONTINUOUS PIANO HINGE
- PINNED ALLEN HEAD SECURITY CAM LATCH
- FRAMES ARE PROVIDED WITH 1/4" MOUNTING HOLES

### OPTIONS

- MASONRY ANCHORS ATTACHED
- GALVANIZED BONDERIZED STEEL
- STAINLESS STEEL WITH A #4 SATIN POLISH FINISH
- MORTISE PREPARATION FOR 1 1/8" CYLINDER BY OTHERS (OR BY CIERRA)
- HEAVY DUTY DETENTION DEADBOLT LOCK



**CUT-THRU SECTION**  
NOT TO SCALE

#### Distributed by:

**AmeraProducts, Inc.**  
 Tele: 1-800-608-6568  
 Fax: (409) 842-5852  
 Email: [Info@ameraproducts.com](mailto:Info@ameraproducts.com)

[www.Accesspanels.com](http://www.Accesspanels.com)

Manufactured by Cierra Products

PROJECT:

CONTRACTOR:

ARCHITECT:

DRAWN BY: CMR	REV. DATE: 04-01-99	QUANTITY:	DATE:	TITLE: C-MT.DOC
------------------	------------------------	-----------	-------	-----------------