

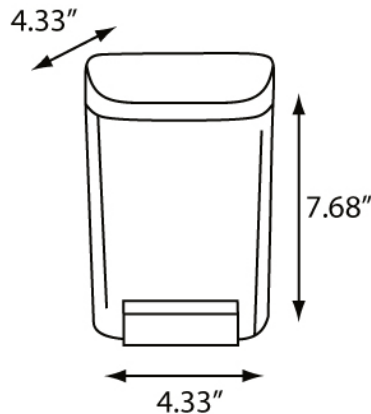
Manual Liquid Soap Dispenser

Product Overview

The SD0927 Manual Bulk Soap Dispenser is made from impact resistant plastic, it is very durable. The dispenser accommodates a variety of liquid and lotion soaps. Dispensers cannot be used with any pumice soaps. The translucent design allows of easy view of soap supply. The smooth, curved top is water resistant, while the large push bar meets ADA requirements.

Product Features:

- Made from impact resistant plastic
- Accommodates a variety of liquid and lotion soaps
- With a translucent cover, soap is always visible
- Smooth, curved design prevents user from resting objects on unit
- ADA Compliant



MODEL #	COLOR
SD0927-02	BLACK TRANSLUCENT 02

Specifications:  

Dimensions (in)	4.33" w x 7.68" h x 4.33" d
Weight (lb)	0.67 lb
Key Type	NA
Capacity	1000mL Liquid Soap
Case Pack	30 (0.09'3)
Pallet Qty	720 units

More information and images available online.