

Distributed by  
[www.Ameraproducts.com](http://www.Ameraproducts.com)  
Phone: (800) 608-6568  
Fax: (409) 840-5545  
[info@ameraproducts.com](mailto:info@ameraproducts.com)



# RD0024

9" Jumbo Roll  
Tissue Dispenser w/  
Stub Roll

**NEW**

**PALMER  
FIXTURE**

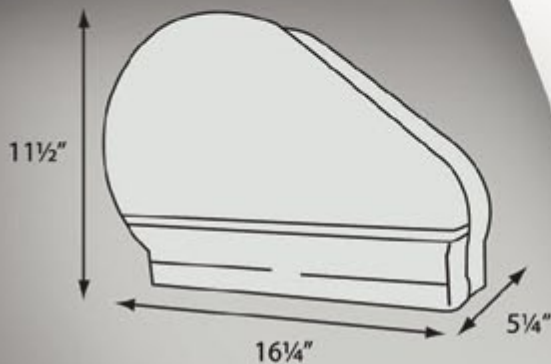
Since 1907

V.4.13

**NEW**

# RD0024

9" Jumbo Roll Tissue  
Dispenser w/ Stub Roll



**RD0024-03**  
White Translucent



**RD0024-01**  
Dark Translucent



**RD0024-02**  
Black Translucent



Small, sleek compact design

Durable high impact plastic superior construction

Sliding panel ensures the use of one roll at a time

Translucent cover allows for easy view of paper supply

Model	Dimensions	Capacity	Case Pack	Case Weight	Key Type
RD0024	16 1/4" X 11 1/2" X 5 1/4"	9" Roll & Stub Roll (2 1/4" w/ 3 3/8" adaptor)	4	12 lb.	1



Distributed by  
[www.Ameraproducts.com](http://www.Ameraproducts.com)  
Phone: (800) 608-6568  
Fax: (409) 840-5545  
[info@ameraproducts.com](mailto:info@ameraproducts.com)